

The PE 4000 series of 4B Rotech shaft mounted motion sensors & encoders are manufactured in an extremely tough and durable 30% glass fibre reinforced polypropylene.

Installation is simple & easy, just one 12mm threaded hole in the end of the shaft being monitored or fitted using the unique 'Mag-con' magnetic connector.

A wide range of number of pulses per revolution are available together with AC and DC electrical outputs.

Light Duty
Low Cost Version



FOR MONITORING:

- Speed
- Distance
- Direction
- Belt slip
- Shaft stopped
- Underspeed
- Overspeed
- Safety guards interlocking

FEATURES:

- Low cost
- Totally self contained (no guards required)
- Maintenance free for maximum reliability
- 1 to 1000 pulses per revolution
- Environment ingress-IP66
- -25 to +100 deg Celsius versions available



MAG-CON

MAGNETIC CONNECTOR

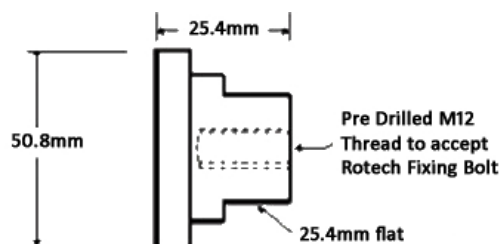
For quick and easy installation of Rotech shaft mounted sensors & encoders

IMPORTANT NOTE:

MAXIMUM OPERATING SPEED IS 300RPM

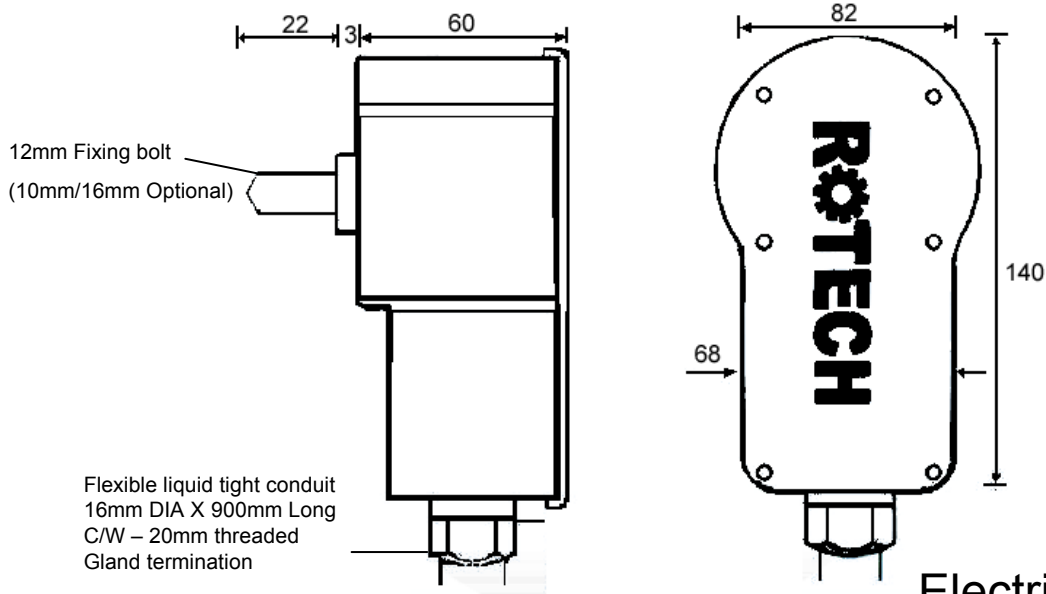
RECOMMENDED MINIMUM

SHAFT DIAMETER FOR FITTING=35MM



Dimensions and Installation Information

Shown in millimetres

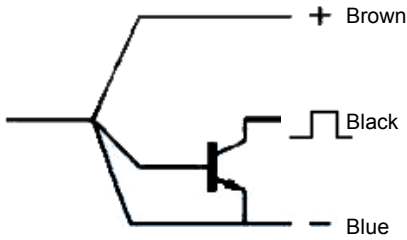


Electrical Outputs

Available Pulse Rates (PPR)

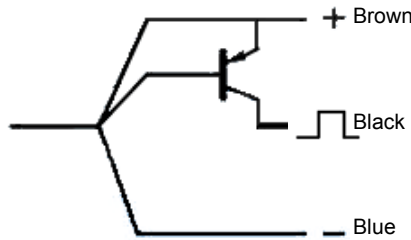
1,2,4,5,6,8,10,12,16,20,30,32,40,50,60,100,120,180,240,250,300,360,500,1000 (Dependent Upon Output Type)

Type E (N.P.N) 10-30Vdc



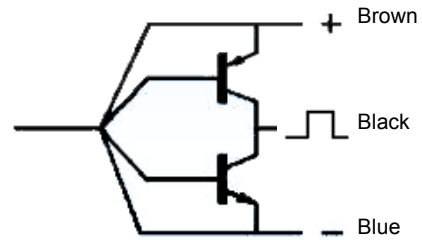
Max frequency = 600Hz

Type E2 (P.N.P) 10-30Vdc



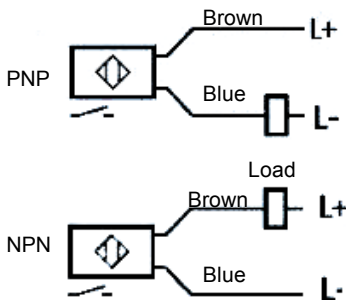
Max frequency = 600Hz

Type E3 (N.P.N/P.N.P 3 wire) 10-30Vdc



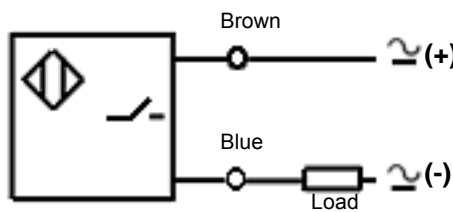
Max frequency = 1000Hz

Type E4 (N.P.N + P.N.P.- 2 Wire) 10-30Vdc



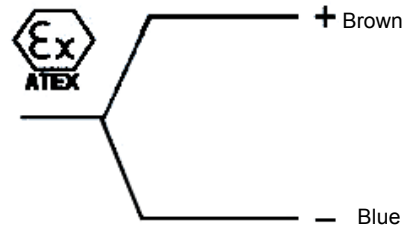
Max frequency = 1300Hz

Type W 20-240V AC/DC (1 to 30 PPR only)



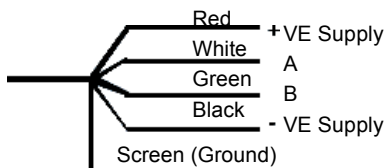
Max frequency = 25Hz (AC) 1000Hz (DC)

Type N (Namur) 8-2 Vdc (1K Ω) Intrinsically safe circuits

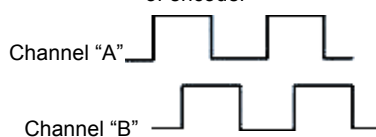


Max frequency = 2000Hz

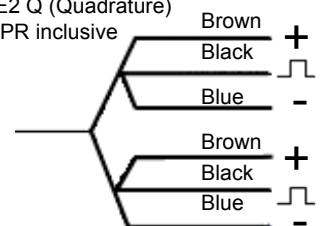
Type E3 Q (Quadrature) 10-30Vdc



CH "A" Leads CH "B" for clockwise rotation viewed from shaft end of encoder



Type E, E2 Q (Quadrature) 1 to 40 PPR inclusive



Max frequency = 600Hz