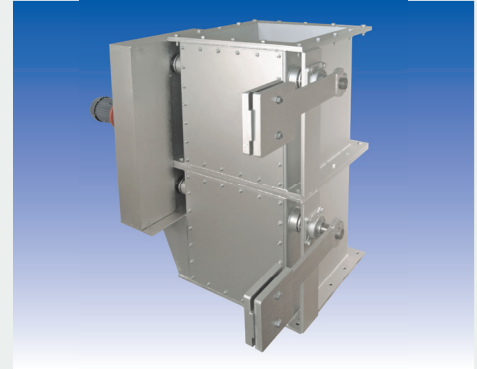
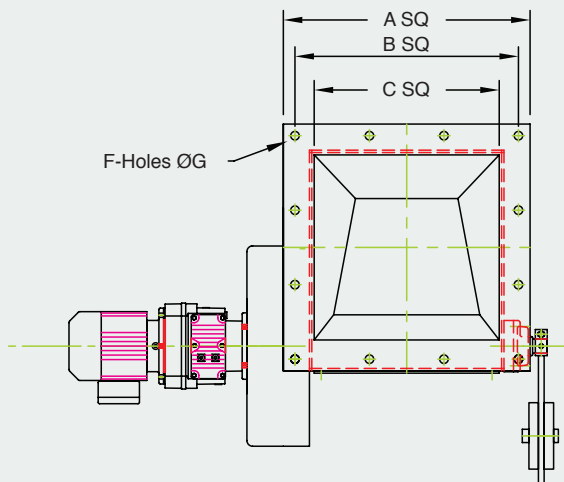
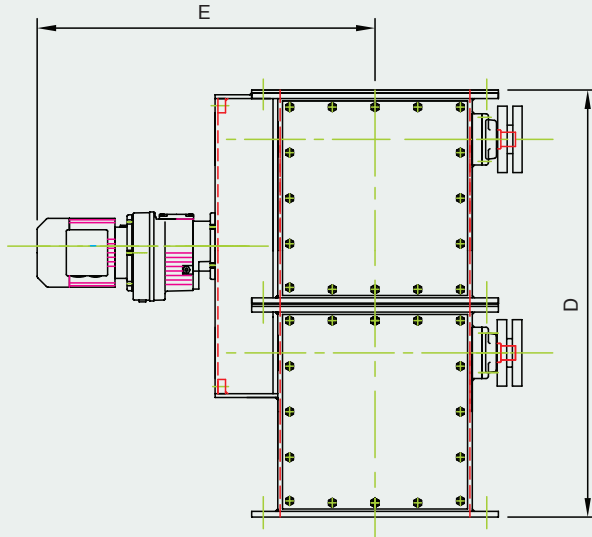




www.go4b.com

GRAVITY FLOW CONVEYING EQUIPMENT

4B FV Flap Valve



The 4B series of Flap Valves also known as Double Dump Valves are a type of airlock valve commonly used in Bulk Material Handling applications.

Flap Valves are primarily used to discharge powder or granular material from hoppers, Bins and cyclones operating under a pressure differential.

This type of valve is ideal for use in place of a Rotary Valve Feeder where fibrous or abrasive materials may jam or damage the Rotary Valve.

Features: Manufactured in Carbon Steel as Standard – Stainless Steel Optional.

Flaps – Hard Wearing Steel.

Range of Standard Sizes available & custom sizes made to Order.

Motor & Pneumatic versions available as well as Gravity Counterweighted.

Large variety of sealing materials available to suit the application.

Easily accessible stuffing box seals .

MODEL	A	B	C	D	E	F	G	Drive kW	Weight kg
4BFV200	290	2x125=250	200	500	575	8	12	0,25	85
4BFV250	360	3x105=315	250	600	608	12	12	0,25	120
4BFV300	390	3x117=351	300	700	665	12	12	0,25	160
4BFV400	520	3x157=471	400	900	780	12	18	0,37	275
4BFV500	620	4x143=572	500	1250	935	16	18	0,55	452
4BFV600	760	4x172,5=690	600	1400	1020	16	18	0,55	655

Other sizes available on request