

With subsidiaries in North America, Europe, Asia, Africa and Australia along with a worldwide network of distributors, 4B can provide practical solutions for all your applications no matter the location.



**4B BRAIME ELEVATOR COMPONENTS**  
Hunslet Road  
Leeds  
LS10 1JZ  
United Kingdom  
Tel: +44 (0) 113 246 1800  
Fax: +44 (0) 113 243 5021

**4B DEUTSCHLAND**  
9 Route de Corbie  
Lamotte Warfusée  
F-80800  
France  
Tel: +49 (0) 700 2242 4091  
Fax: +49 (0) 700 2242 3733

**4B ASIA PACIFIC**  
Build No. 899/1 Moo 20  
Soi Chongsiri, Bangplee-Tam Ru Road,  
Tanbon Bangpleeyai, Amphur Bangplee,  
Samutprakarn 10540  
Thailand  
Tel: +66 (0) 2 173-4339  
Fax: +66 (0) 2 173-4338

**4B COMPONENTS LTD.**  
625 Erie Avenue  
Morton, IL 61550  
USA  
Tel: 309-698-5611  
Fax: 309-698-5615

**4B SETEM SARL**  
9 Route de Corbie  
80800 Lamotte Warfusée  
France  
Tel: +33 (0) 3 22 42 32 26  
Fax: +33 (0) 3 22 42 37 33

**4B AFRICA**  
14 Newport Business Park  
Mica Drive, Kya Sand  
2163 Johannesburg  
South Africa  
Tel: +27 (0) 11 708 6114  
Fax: +27 (0) 11 708 1654

**4B AUSTRALIA**  
Unit 1/18 Overlord Place  
Acacia Ridge  
Queensland 4110  
Australia  
Tel: +61 (0) 7 3711 2565  
Fax: +61 (0) 7 3711 2574

[www.go4b.com](http://www.go4b.com)



## M800 Elite Speed Switch

MULTI-VOLTAGE UNDERSPEED MONITOR



**SA**<sup>®</sup>  
C US  
APPROVED  
Class II Div. 1



INSTALLATION INSTRUCTIONS

## OPERATION MANUAL

Part No.'s - M8001V10C & M8002V10C

[www.go4b.com/usa](http://www.go4b.com/usa)

## PRODUCT WARRANTY

### 1. EXCLUSIVE WRITTEN LIMITED WARRANTY

ALL PRODUCTS SOLD ARE WARRANTED BY THE COMPANY (4B COMPONENTS LIMITED, (4B) BRAIME ELEVATOR COMPONENTS LIMITED, AND (4B) S.E.T.E.M. Sarl HEREIN AFTER REFERRED TO AS 4B TO THE ORIGINAL PURCHASER AGAINST DEFECTS IN WORKMANSHIP OR MATERIALS UNDER NORMAL USE FOR ONE (1) YEAR AFTER DATE OF PURCHASE FROM 4B. ANY PRODUCT DETERMINED BY 4B AT ITS SOLE DISCRETION TO BE DEFECTIVE IN MATERIAL OR WORKMANSHIP AND RETURNED TO A 4B BRANCH OR AUTHORIZED SERVICE LOCATION, AS 4B DESIGNATES, SHIPPING COSTS PREPAID, WILL BE, AS THE EXCLUSIVE REMEDY, REPAIRED OR REPLACED AT 4B'S OPTION.

### 2. DISCLAIMER OF IMPLIED WARRANTY

NO WARRANTY OR AFFIRMATION OF FACT, EXPRESSED OR IMPLIED, OTHER THAN AS SET FORTH IN THE EXCLUSIVE WRITTEN LIMITED WARRANTY STATEMENT ABOVE IS MADE OR AUTHORIZED BY 4B. 4B SPECIFICALLY DISCLAIMS ANY LIABILITY FOR PRODUCT DEFECT CLAIMS THAT ARE DUE TO PRODUCT MISUSE, ABUSE OR MISAPPLICATIONS, AS AUTHORIZED BY LAW, 4B SPECIFICALLY DISCLAIMS ALL WARRANTIES THAT THE PRODUCT IS FIT OR MERCHANTABLE FOR A PARTICULAR PURPOSE.

### 3. NO WARRANTY "BY SAMPLE OR EXAMPLE"

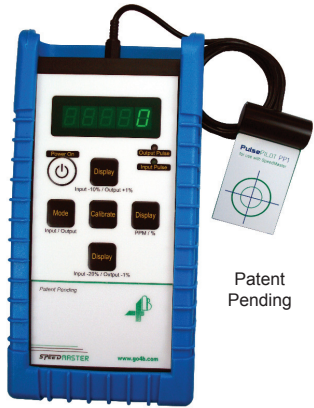
ALTHOUGH 4B HAS USED REASONABLE EFFORTS TO ACCURATELY ILLUSTRATE AND DESCRIBE THE PRODUCTS IN ITS CATALOGS, LITERATURE, AND WEBSITES, SUCH ILLUSTRATIONS AND DESCRIPTIONS ARE FOR THE SOLE PURPOSE OF PRODUCT IDENTIFICATION AND DO NOT EXPRESS OR IMPLY A WARRANTY AFFIRMATION OF FACT, OF ANY KIND OR A WARRANTY OR AFFIRMATION OF FACT THAT THE PRODUCTS WILL CONFORM TO THEIR RESPECTIVE ILLUSTRATIONS OR DESCRIPTIONS. 4B EXPRESSLY DISCLAIMS ANY WARRANTY OR AFFIRMATION OF FACT, EXPRESSED OR IMPLIED, OTHER THAN AS SET FORTH IN THE EXCLUSIVE WRITTEN LIMITED WARRANTY STATEMENT ABOVE, INCLUDING, WITHOUT LIMITATION, THE IMPLIED WARRANTIES OF MERCHANTABILITY AND FITNESS FOR A PARTICULAR PURPOSE.

### 4. LIMITATION OF DAMAGES

ANY LIABILITY FOR CONSEQUENTIAL, INCIDENTAL, SPECIAL, EXEMPLARY, OR PUNITIVE DAMAGES, OR FOR LOSS OF PROFIT WHETHER DIRECT OR INDIRECT, IS EXPRESSLY DISCLAIMED.

## TESTING AND COMMISSIONING

1. Check that the unit is correctly installed (see standard wiring diagram).
2. Check that the distance between the target, stud or bolt head and sensing face of M800 Elite is within the minimum distance specified.
3. Start up machine, and wait for start-up delay to complete (set LED will be solid green).
4. 4B's *SpeedMaster™* calibration and testing device can be used to accurately test the alarm and shutdown features of the M800 Elite. A metal putty knife or a small piece of metal can be used to simulate a stop motion situation by placing the metal between the sensing face of the M800 Elite and the target. After the initial start up delay, the machine should shutdown.



Patent Pending

### SPEEDMASTER™

The *SpeedMaster™* with Pulse Pilot is the only device that accurately tests the calibration of a speed switch, and allows testing of the alarm and shutdown features of the sensor while installed on the machine shaft.

The *SpeedMaster™* operates in two modes. Input mode is used to measure the pulse rate at normal speed. Output mode will allow the user to simulate belt underspeed for testing purposes.

The Pulse Pilot fits between the gap between the sensor and the target. The Pulse Pilot will have no effect on the operation of the speed switch until it is connected to the *SpeedMaster™* and set to "output" mode.

### ⚠ WARNING


If the system does not immediately shutdown as expected or alarm as required, then remove the machine from service until the problem has been diagnosed and corrected.

## TROUBLESHOOTING GUIDE

FAULT	REMEDY
Set LED is Orange	Calibration not accepted, need to recalibrate sensor (see page 9).
Set LED is Red	Follow procedure "RECALIBRATION FOR A DIFFERENT SETTING". If the set LED remains red, contact 4B.
Input LED does not illuminate	Check that you have a supply of the correct value across the brown and blue wires. Slide a screwdriver blade across the face of the sensor, the input LED should flicker. If not, contact 4B.  If the input LED does flicker, move the front face of the sensor closer to the target and check the target size as specified under "INSTALLATION".
Input LED Stays on Permanently	Either increase the gap between the target and the shaft, or between the target and the sensor face.

## TABLE OF CONTENTS

CUSTOMER SAFETY RESPONSIBILITIES	Page 4 - 5
PRODUCT OVERVIEW	Page 6
SPECIFICATIONS	Page 6
DIMENSIONS	Page 7
INSTALLATION	Page 7
STANDARD WIRING DIAGRAM	Page 8
SENSOR CALIBRATION	Page 9
TESTING & COMMISSIONING	Page 10
TROUBLESHOOTING GUIDE	Page 10
PRODUCT WARRANTY	Page 11




**⚠ WARNING**

Rotating parts can crush, cut and entangle.

Do NOT operate with guard removed.

Lockout power before removing guard or servicing.



Dear 4B Customer:

Congratulations on your purchase. 4B appreciates your business and is pleased you have chosen our products to meet your needs.

Please read in its entirety and understand the literature accompanying the product before you place the product into service. Please read the safety precautions carefully before operating the product. With each product you purchase from 4B, there are some basic but important safety considerations you must follow to be sure your purchase is permitted to perform its design function and operate properly and safely, giving you many years of reliable service. Please read and understand the Customer Safety Responsibilities listed below. Failure to follow this safety directive and the Operation Manuals and other material furnished or referenced, may result in serious injury or death.

### SAFETY NOTICE TO OUR CUSTOMERS

- A. In order to maximize efficiency and safety, selecting the right equipment for each operation is vital. The proper installation of the equipment, and regular maintenance and inspection is equally important in continuing the proper operation and safety of the product. The proper installation and maintenance of all our products is the responsibility of the user unless you have asked 4B to perform these tasks.
- B. All installation and wiring must be in accordance with Local and National Electrical Codes and other standards applicable to your industry. (Please see the article "Hazard Monitoring Equipment Selection, Installation and Maintenance" at [www.go4b.com](http://www.go4b.com).) The installation of the wiring should be undertaken by an experienced and qualified professional electrician. Failure to correctly wire any product and/or machinery can result in the product or machine failing to operate as intended, and can defeat its design function.
- C. Periodic inspection by a qualified person will help assure your 4B product is performing properly. 4B recommends a documented inspection at least annually and more frequently under high use conditions.
- D. Please see the last page of this manual for all warranty information regarding this product.

### CUSTOMER SAFETY RESPONSIBILITIES

#### 1. READ ALL LITERATURE PROVIDED WITH YOUR PRODUCT

Please read all user, instruction and safety manuals to ensure that you understand your product operation and are able to safely and effectively use this product.

#### 2. YOU BEST UNDERSTAND YOUR NEEDS

Every customer and operation is unique, and only you best know the specific needs and capabilities of your operation. Please call the 24-hour hotline at 309-698-5611 for assistance with any questions about the performance of products purchased from 4B. 4B is happy to discuss product performance with you at any time.

Figure 3 - Typical Connections Shutdown and No Alarm

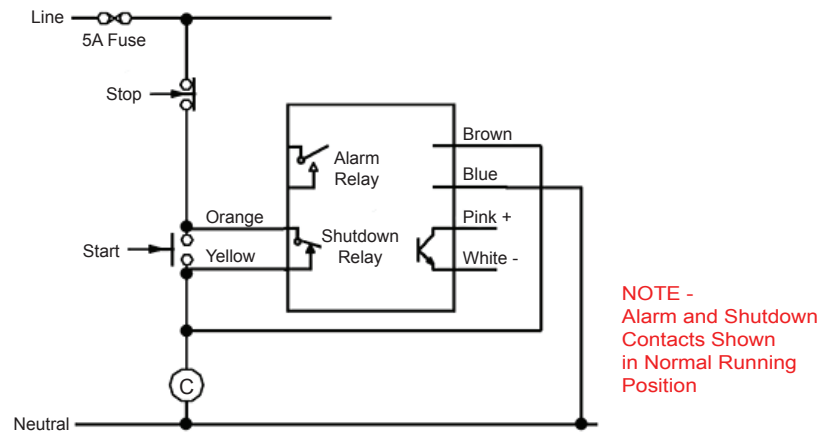
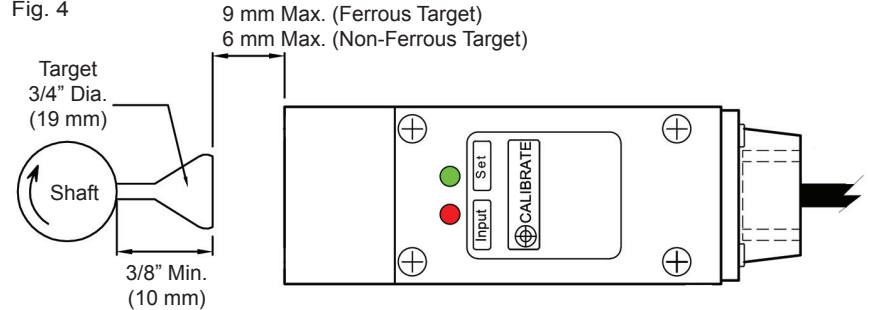


Fig. 4



## SENSOR CALIBRATION

### INITIAL SENSOR CALIBRATION -

1. Check that the M800 Elite is correctly installed (see standard wiring diagram).
2. Check that the distance between target, stud or bolt head and sensing face of unit is within the minimum distance specified.
3. With the belt tight and without introducing any product into the machine, start up machine. Allow machine time to attain normal running speed. The red input LED should be blinking, if not see fault table at the bottom of the page.
4. Place the magnet (supplied with unit) on "CALIBRATE" point located on the top side of the sensor. Each flash of the green LED represents one second for the start-up delay. Remove the magnet when the required start up delay has been achieved.
5. The green set LED will flash to 'echo' back the set time and will automatically calibrate the alarm and shutdown speeds. When the calibration is complete, the green set LED should be on steady and the red input LED should be flashing.

CALIBRATE Point Symbol

### SENSOR RECALIBRATION -

If the M800 Elite is to be used at a different machine speed or with a slower/longer time delay than previously calibrated, the unit may trip out before it can be calibrated. This can be avoided by applying power while holding the magnet on the "CALIBRATE" point and removing the magnet only when the machine has reached normal speed. Wait for the green LED to illuminate permanently and then recalibrate using steps 1 - 5 in the "INITIAL SENSOR CALIBRATION" procedure above.

## STANDARD WIRING DIAGRAM

All wiring must be in accordance with local and national electrical codes and should be undertaken by an experienced and qualified electrician.

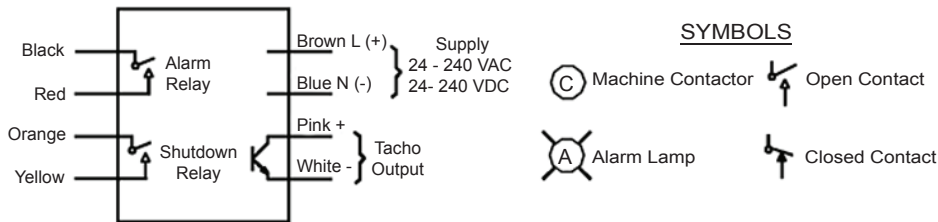
Always use dust/liquid tight flexible metal conduit with approved fittings to protect the sensor cables. Use rigid metal conduit to protect the cables from the sensors to the control unit. Conduit systems can channel water due to ingress and condensation directly to sensors and sensor connections which over time will adversely affect the performance of the system. As such, the installation of low point conduit drains is recommended for all sensors.

The unit connections and typical wiring diagrams are given in figures. 1, 2 and 3. The contacts are voltage free and there is no connection between L (+) and the relay, until links are installed as required (see figures. 2 and 3).

Cable length can be extended to virtually any distance required. The sensor is well protected against electrical interference, but if long cable runs are used in very noisy environments, the cabling should be segregated from any high current carrying conductors.

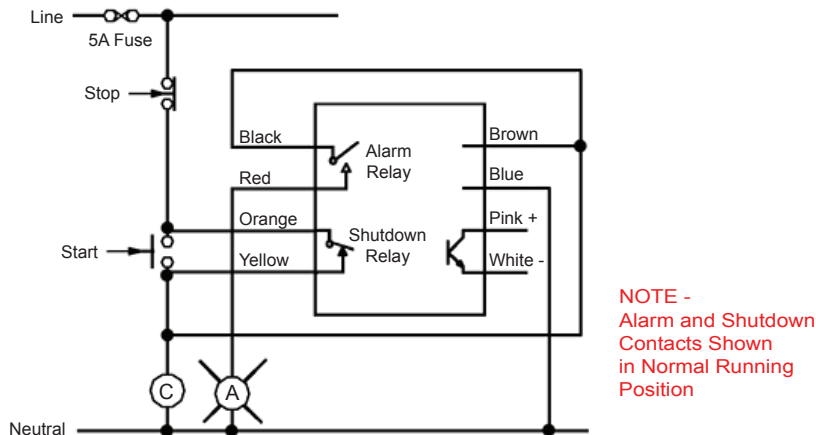
NOTE: The startup delay is initiated by applying power.

Figure 1 - Connection Overview



NOTE -  
Alarm and Shutdown Contacts  
Shown with Power Disconnected

Figure 2 - Typical Connections Alarm and Shutdown



NOTE -  
Alarm and Shutdown  
Contacts Shown  
in Normal Running  
Position

### 3. SELECT A QUALIFIED AND COMPETENT INSTALLER

Correct installation of the product is important for safety and performance. If you have not asked 4B to perform the installation of the unit on your behalf, it is critical for the safety of your operation and those who may perform work on your operation that you select a qualified and competent electrical installer to undertake the installation. The product must be installed properly to perform its designed functions. The installer should be qualified, trained, and competent to perform the installation in accordance with Local and National Electrical Codes, all relevant OSHA Regulations, as well as any of your own standards and preventive maintenance requirements, and other product installation information supplied with the product. You should be prepared to provide the installer with all necessary installation information to assist in the installation.

### 4. ESTABLISH AND FOLLOW A REGULAR MAINTENANCE AND INSPECTION SCHEDULE FOR YOUR 4B PRODUCTS

You should develop a proper maintenance and inspection program to confirm that your system is in good working order at all times. You will be in the best position to determine the appropriate frequency for inspection. Many different factors known to the user will assist you in deciding the frequency of inspection. These factors may include but are not limited to weather conditions; construction work at the facility; hours of operation; animal or insect infestation; and the real-world experience of knowing how your employees perform their jobs. The personnel or person you select to install, operate, maintain, inspect or perform any work whatsoever, should be trained and qualified to perform these important functions. Complete and accurate records of the maintenance and inspection process should be created and retained by you at all times.

### 5. RETAIN AND REFER TO THE OPERATION MANUAL FOR 4B'S SUGGESTED MAINTENANCE AND INSPECTION RECOMMENDATIONS

As all operations are different, please understand that your specific operation may require additional adjustments in the maintenance and inspection process essential to permit the monitoring device to perform its intended function. Retain the Operation Manual and other important maintenance and service documents provided by 4B and have them readily available for people servicing your 4B equipment. Should you have any questions, please call the free 24-hour hotline number (309-698-5611).

### 6. SERVICE REQUEST

If you have questions or comments about the operation of your unit or require the unit to be serviced please contact the 4B location who supplied the product or send your request via fax (309-698-5615) or call us via our 24-hour hotline number in the USA (309-698-5611). Please have available product part numbers, serial numbers, and approximate date of installation. In order to assist you, after the product has been placed into service, complete the online product registration section which is accessed via our website [www.go4b.com/usa](http://www.go4b.com/usa).

## ⚠ WARNING

- Rotating machinery can cause serious injury or death
- Always lockout and tagout the machine prior to installation

## PRODUCT OVERVIEW

The M800 Elite Speed Switch is designed to detect belt slip, belt underspeed, stop motion, low speed or zero speed on bucket elevators, conveyors or rotating machinery. The unit requires no contact with the shaft, is fully solid state, and has a virtually unlimited operating life. Two models are available:

Model M8001V10C may be used either as a dual trip unit giving an alarm at 10% below set speed and a shutdown signal at 20% below set speed, or a single trip giving a shutdown signal at 20%.

Model M8002V10C may be used either as a dual trip unit giving an alarm at 5% below set speed and a shutdown signal at 10% below set speed, or a single trip giving a shutdown signal at 10%.

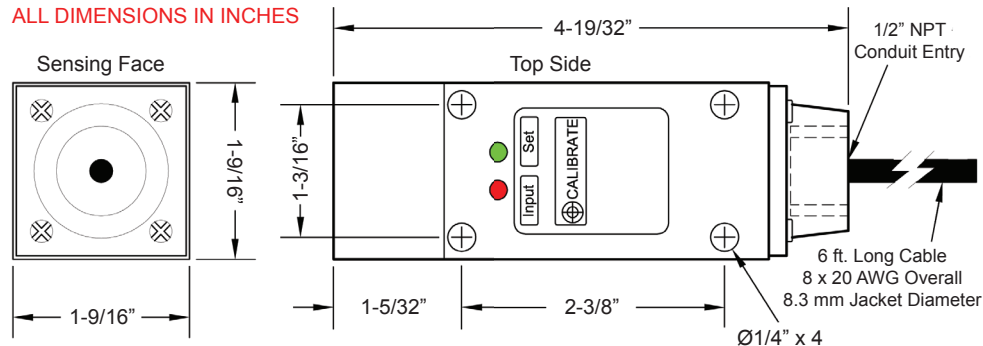
A simple calibration facility allows either model to be programmed to give a start up delay of up to 15 seconds, while simultaneously calibrating for normal running speed. An auxiliary pulse output is provided which can be connected to display actual shaft RPM on a PLC or speed display.

## SPECIFICATIONS

Supply -	24 - 240 VAC/VDC multi-voltage universal supply
Power Consumption -	6 VA
Fusing -	Supply to be fused at 5A maximum
Speed Range -	10 - 3,600 PPM (pulses per minute)
Sensing Range -	Ferrous target - 11/32" (9 mm) maximum Non-ferrous target - 7/32" (6 mm) maximum
Operating Temperature -	-13°F (-25°C) to 158°F (70°C)
Start Up Delay -	User selectable 0 - 15 seconds
Calibration -	Magnetic
Trip Points -	10% alarm and 20% shut down - M8001V10C (standard version) 5% alarm and 10% shut down - M8002V10C (special order) Both contacts rated for 240 VAC / 30 VDC 2.5 A non-inductive maximum
Outputs -	1. Normally open contact closing when speed falls by 10% (M8001V10C) or 5% (M8002V10C) 2. Normally open contact closing on power up, opening when speed falls by 20% (M8001V10C) or 10% (M8002V10C) 3. Tacho output opto-isolated to 30 VDC, 100 mA max.
LED Indicator -	Red LED indicates input pulses. Green LED shows output state and acts as a calibration aid.
Cable -	6 feet (2 m) - 8 conductor
Protection -	IP67 dust and water tight (fully encapsulated)
Approvals -	CSA Class II Division 1 Groups E, F and G (USA & Canada) GOST-R (Russia) ATEX & CE Versions Available (Europe)

## DIMENSIONS

ALL DIMENSIONS IN INCHES



## INSTALLATION

The M800 Elite should be wired as shown in the connections diagrams on page 8. The inductive sensing device, located in the front of the M800 Elite enclosure is designed to detect a metal target on a shaft. The target can be a bolt head or similar. Ideally, the target should be a ferrous metal but non-ferrous metal will detect at a shorter range. Maximum range for a ferrous material is 11/32 inches (9 mm) and for non-ferrous metal is 7/32 inches (6 mm), assuming a 3/4 inch (19 mm) diameter target. Smaller targets may be used but operating distance will be reduced. The M800 Elite should be mounted adjacent to the target, ensuring that the distance to the target does not exceed the stated maximum. Typical mounting methods are shown in fig. 4 (page 9). When mounted against a solid steel shaft, the target or bolt head should protrude from the shaft about 3/8 inch (10 mm). Otherwise the sensor will not be able to distinguish the target from the shaft and the red input light would stay on permanently (instead of flashing) and it would not be possible to calibrate the unit.

### TACHO OUTPUT -

An opto-isolated output is provided, rated at 30V 100 mA max. The output is ON when the target is detected and OFF otherwise. This pulsed output can be used to connect to remote tachometers, PLC inputs, speed indicators or other electronic products.

## ⚠ WARNING

O.S.H.A. requires that all exposed rotating shafts are provided with a full guard. Therefore, this device and its target must be equipped with a guard.

Fasten the M800 Elite to a suitable mounting bracket, such as 4B's Whirligig® universal shaft sensor mount, with the nose of the switch within the sensing range of the target, as shown below -



**M800 Elite Shown on Optional Whirligig® Shaft Sensor Mount with Mag-Con™ Magnetic Connector**