



IE-NODE

INDUSTRIAL ETHERNET NODE 2
10 ANALOG 4-20 mA INPUTS

COMMUNICATION PROTOCOLS -
PROFINET, ETHERNET/IP & MODBUS TCP/IP



EN - FR - CN - RU



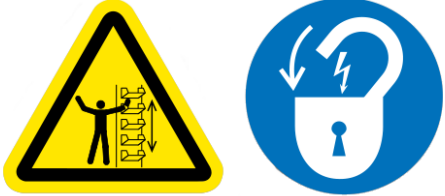
INSTALLATION INSTRUCTIONS

OPERATION MANUAL

Part No.'s - ETH-NODE2V46CAI, ETH-NODE2V4CAI
Hardware Version R3 - Software Version 4.2.4 - Ethernet 0.2.X

www.go4b.com


! **DANGER**



Exposed buckets and moving parts will cause severe injury or death.

Lockout power before removing cover or inspection door.

! **WARNING**



Moving parts can crush and cut.

Lockout power before removing guard or servicing.

Do NOT operate with guard removed

TABLE OF CONTENTS

1. CUSTOMER SAFETY RESPONSIBILITIES	Page 4 - 5
2. PRODUCT OVERVIEW	Page 6
3. SPECIFICATIONS	Page 6
4. DIMENSIONS	Page 7
5. INSTALLATION	Page 7
6. SENSOR PLACEMENT DIAGRAMS	Page 8
7. ELECTRICAL CONNECTION	Page 9
8. WIRING DIAGRAMS	Page 11 - 15
8.1 Supply Voltage Wiring (120 to 240 VAC)	Page 11
8.2 Supply Voltage Wiring (24 VDC)	Page 11
8.3 Wiring Block Diagram for Elevator & Conveyor	Page 12
8.4 Standard System Sensor Wiring Diagram	Page 13
8.5 Individual Bearing Temp. Sensor Wiring Diagrams	Page 14
8.6 Individual Belt Alignment Sensor Wiring Diagrams	Page 14
8.7 Individual Speed Sensor Wiring Diagrams	Page 14
9. IE-NODE OPERATION	Page 15 - 16
9.1 Startup Operation	Page 15
9.2 Rotary Switch (SW1)	Page 15
9.3 DIP Switches (SW2)	Page 16
9.4 PLC Protocol Selection	Page 16
9.5 Temperature Unit	Page 16
9.6 Bootloader Selection	Page 16
9.7 RTU Node ID Source	Page 16
9.8 Internal Temperature Sensor	Page 16
10. COMMUNICATIONS OPTIONS	Page 17
11. EXPANSION BOARDS	Page 17
12. IE-NODE NETWORK CONFIGURATOR SOFTWARE	Page 18 - 21
13. TROUBLESHOOTING GUIDE	Page 22
14. TESTING AND MAINTENANCE	Page 22
15. WARNINGS PRESENT ON PRODUCT	Page 22
16. PRODUCT WARRANTY	Page 27

1. CUSTOMER SAFETY RESPONSIBILITIES

4B appreciates your business and is pleased you have chosen our products to meet your needs.

Please read in its entirety and understand the literature accompanying the product before you place the product into service. Please read the safety precautions carefully before operating the product. With each product you purchase from 4B, there are some basic but important safety considerations you must follow to be sure your purchase is permitted to perform its design function and operate properly and safely, giving you many years of reliable service. Please read and understand the Customer Safety Responsibilities listed below. Failure to follow this safety directive and the Operation Manuals and other material furnished or referenced, may result in serious injury or death.

SAFETY NOTICE TO OUR CUSTOMERS

- A. In order to maximize efficiency and safety, selecting the right equipment for each operation is vital. The proper installation of the equipment, and regular maintenance and inspection is equally important in continuing the proper operation and safety of the product. The proper installation and maintenance of all our products is the responsibility of the user unless you have asked 4B to perform these tasks.
- B. All installation and wiring must be in accordance with Local and National Electrical Codes and other standards applicable to your industry. (Please see the article “Hazard Monitoring Equipment Selection, Installation and Maintenance” at www.go4b.com.) The installation of the wiring should be undertaken by an experienced and qualified professional electrician. Failure to correctly wire any product and/or machinery can result in the product or machine failing to operate as intended, and can defeat its design function.
- C. Periodic inspection by a qualified person will help assure your 4B product is performing properly. 4B recommends a documented inspection at least annually and more frequently under high use conditions.
- D. Please see the last page of this manual for all warranty information regarding this product.

CUSTOMER SAFETY RESPONSIBILITIES

1. READ ALL LITERATURE PROVIDED WITH YOUR PRODUCT

Please read all user, instruction and safety manuals to ensure that you understand your product operation and are able to safely and effectively use this product. If the equipment is used in a manner not specified in this manual, the protection provided by the equipment may be impaired.

2. YOU BEST UNDERSTAND YOUR NEEDS

Every customer and operation is unique, and only you best know the specific needs and capabilities of your operation. Please call the 24-hour hotline at 309-698-5611 for assistance with any questions about the performance of products purchased from 4B. 4B is happy to discuss product performance with you at any time.

3. SELECT A QUALIFIED AND COMPETENT INSTALLER

Correct installation of the product is important for safety and performance. If you have not asked 4B to perform the installation of the unit on your behalf, it is critical for the safety of your operation and those who may perform work on your operation that you select a qualified and competent electrical installer to undertake the installation. The product must be installed properly to perform its designed functions. The installer should be qualified, trained, and competent to perform the installation in accordance with Local and National Electrical Codes, all relevant OSHA Regulations, as well as any of your own standards and preventive maintenance requirements, and other product installation information supplied with the product. You should be prepared to provide the installer with all necessary installation information to assist in the installation.

4. ESTABLISH AND FOLLOW A REGULAR MAINTENANCE AND INSPECTION SCHEDULE FOR YOUR 4B PRODUCTS

You should develop a proper maintenance and inspection program to confirm that your system is in good working order at all times. You will be in the best position to determine the appropriate frequency for inspection. Many different factors known to the user will assist you in deciding the frequency of inspection. These factors may include but are not limited to weather conditions; construction work at the facility; hours of operation; animal or insect infestation; and the real-world experience of knowing how your employees perform their jobs. The personnel or person you select to install, operate, maintain, inspect or perform any work whatsoever, should be trained and qualified to perform these important functions. Complete and accurate records of the maintenance and inspection process should be created and retained by you at all times.

5. RETAIN AND REFER TO THE OPERATION MANUAL FOR 4B'S SUGGESTED MAINTENANCE AND INSPECTION RECOMMENDATIONS

As all operations are different, please understand that your specific operation may require additional adjustments in the maintenance and inspection process essential to permit the monitoring device to perform its intended function. Retain the Operation Manual and other important maintenance and service documents provided by 4B and have them readily available for people servicing your 4B equipment. Should you have any questions, please call the free 24-hour hotline number (309-698-5611).

6. SERVICE REQUEST

If you have questions or comments about the operation of your unit or require the unit to be serviced please contact the 4B location who supplied the product or call us via our 24-hour hotline number in the USA (309-698-5611). Please have available product part numbers, serial numbers, and approximate date of installation. In order to assist you, after the product has been placed into service, complete the online product registration section which is accessed via our website www.go4b.com/usa.

WARNING

- Rotating machinery can cause serious injury or death
- Always lockout and tagout the machine prior to installation

2. PRODUCT OVERVIEW

The Industrial Ethernet Node 2 (IE-NODE) is a remote sensor monitoring device with 10 4-20 mA (current loop) sensor inputs designed to work alongside a PLC or other control systems.

However, the IE-NODE can be expanded up to 16 sensor inputs with the installation of an optional expansion board. The board provides space for 6 additional NTC, contact or 4-20 mA inputs.





The IE-NODE operates by reading its sensor inputs and sending processed data when requested by another system (e.g. PLC). The unit is equipped with an RJ45 Ethernet socket and supports PROFINET, EtherNet/IP and Modbus TCP/IP protocols for easy integration with Siemens, Allen-Bradley Rockwell, Modicon and other PLC's or automation devices.

The IE-NODE can be used with the following 4B sensors:

4-20 mA Current Loop -

- Milli-Speed Switch: Designed to detect belt slip, belt underspeed, stop motion, low speed or zero speed on bucket elevators, conveyors, airlocks, mixers, fans, grinders and many other rotating machines
- Milli-Temp Series: For use on any application where bearing or surface temperature monitoring is desired or required.

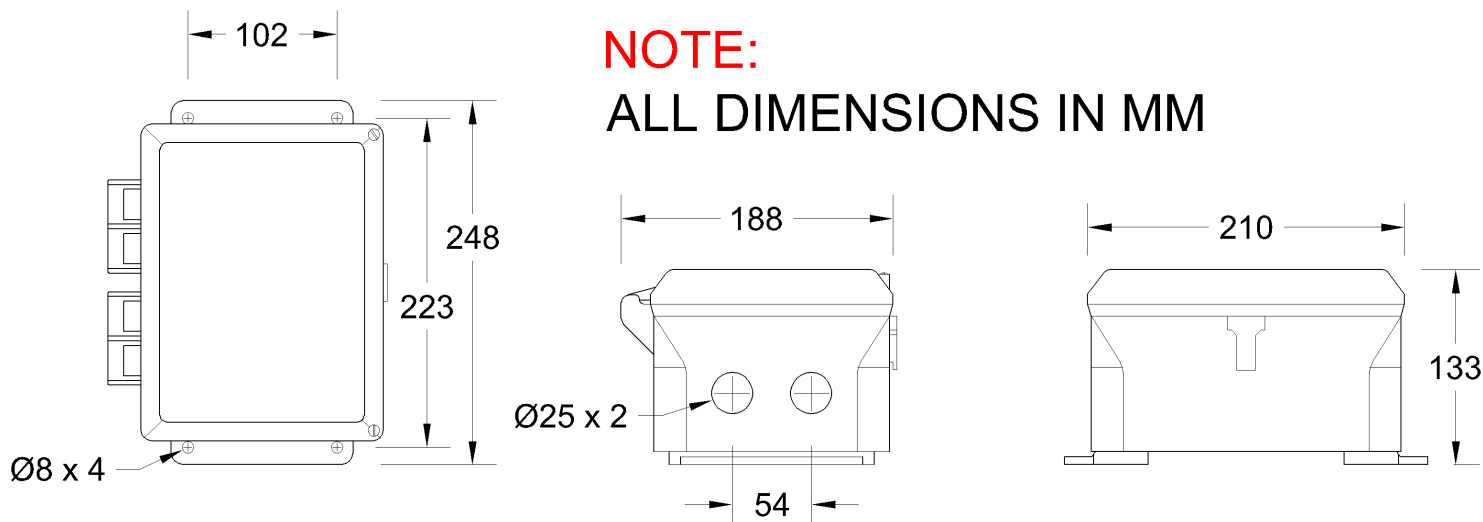
3. SPECIFICATIONS

Supply Voltage -	120 to 240 VAC (ETH-NODE2V46CAI) 24 VDC (ETH-NODE2V4CAI)
Power Dissipation -	12 Watts Maximum
Sensor Supply -	24 VDC @ 800 mA (Across Fuse 1 - Fuse 4)
Power Terminals -	14 AWG / 4 mm ²
Signal Terminals -	16 AWG / 2.5 mm ²
Communication Protocols -	PROFINET, EtherNet/IP and Modbus TCP/IP
Height -	9.7 in. (246 mm)
Width -	7.4 in. (188 mm)
Depth -	4 in. (102 mm)
Fixing Centers -	8.75 x 4 in. (222 x 102 mm)
Cable Entry -	2 Holes - 1-1/8 in. (28 mm) Diameter - 3/4 in. Conduit
Weight -	2.5 lbs / 1.4 kg
Protection -	IP66
Approvals -	<p>ATEX / IECEx/UKEX - V4 Ex tb IIIC T125° Db IP66 TAMB -20°C to +50°C IECEx BAS05.0026X   0598 1180 Ex II 2D Ex tb IIIC T125° Db IP66 TAMB -20°C to +50°C Baseefa04ATEX0131X BAS21UKEX0306X</p> <p>ATEX / IECEx/UKEX - V46 Ex tc IIIC T125°Dc IP66 TAMB -20°C to +45°C IECEx BAS11.0018X   0598 1180 Ex II 3D Ex tc IIIC T125°Dc IP66 TAMB -20°C to +45°C Baseefa II ATEX 0033X BAS21UKEX0309X</p> <p>CSA - V4 Ex tb IIIC T125°C Db IP66 Tamb -20°C to +50°C Zone 21 AEx tb IIIC T125°C Db IP66 Tamb -20°C to +50°C Class II Division 1, Groups E, F and G T125°C (When used with a Class2 power supply)</p> <p>CSA - V46 Ex tc IIIC T125°C Dc IP66 Tamb -20°C to +45°C Zone 22 AEx tc IIIC T125°C Dc IP66 Tamb -20°C to +45°C Class II Division 2, Groups F and G T125°C</p> <p>IP66</p>

4. DIMENSIONS

NOTE:

ALL DIMENSIONS IN MM



5. INSTALLATION

The IE-NODE should be installed in an area with network Ethernet access.

ENCLOSURE INSTALLATION -

1. Use the correct cable, glands and sealing arrangement in accordance to local installation codes.
2. Where other certified components are used as part of the assembly or installation procedure, the user must take in to account any limitations which might be listed on the relevant certificates.
3. The box is supplied with 2 x 1-1/8 inch (27 mm) pre drilled holes in the bottom face. All unused entry apertures must be sealed using component certified stopping plugs.

NOTE: Special Consideration when installed in a Class II environment: In order to connect conduit to the control unit enclosure, use a CSA and/or UL certified Class II conduit hub (for example, a Myers™ hub) with a suitable bonding (grounding) connection that is rated for the installation environment.

4. The enclosure must not be modified in any way, as this will invalidate the certification.
5. All wiring must be carried out in accordance with relevant codes of practice and / or instructions.

NOTE: Special Consideration when installed in a Class II environment: Power input and output (I/O) wiring shall be in accordance with Class II wiring methods per the National Electrical Code (NFPA70) for installations within the US and per the Canadian Electrical Code (CEC) for installations in Canada.

6. The voltage, current and maximum power dissipation on the units label must not be exceeded.
7. The wiring installation must extend to within 1 mm of the metal face of the terminal, and all leads must be insulated for the appropriate voltage.
8. Not more than one or multiple strand cable is to be connected to any terminal unless multiple conductors have previously been joined in a suitable manner (e.g. boot lace ferrule) such that they present a single connection point to the terminal.
9. The sensor terminals use a screwless push in spring design, a small flat-head or straight screwdriver can be used to gently push in the tab to terminate the sensor wires.

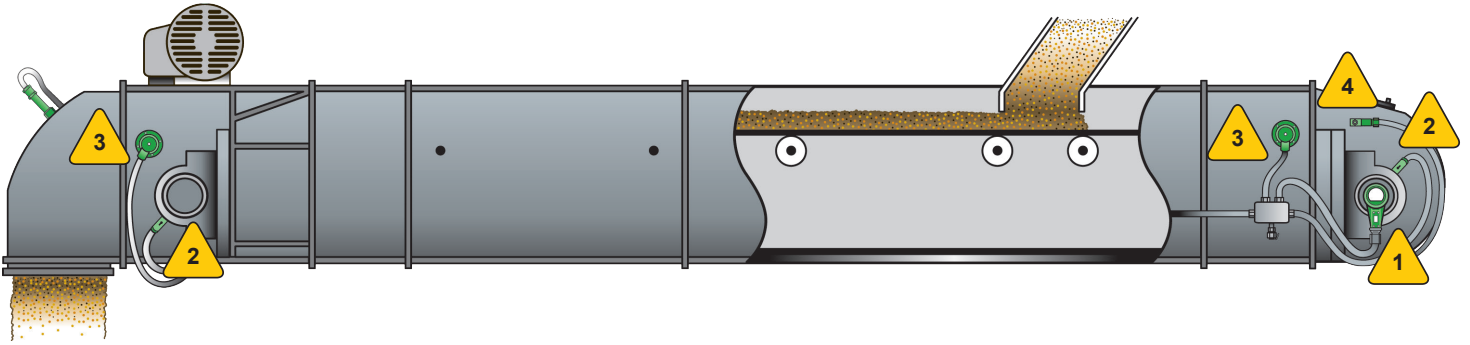
SENSOR INSTALLATION -

Follow the installation instructions for each sensor as provided in each individual product manual.





ENVIRONMENTAL CONDITIONS-

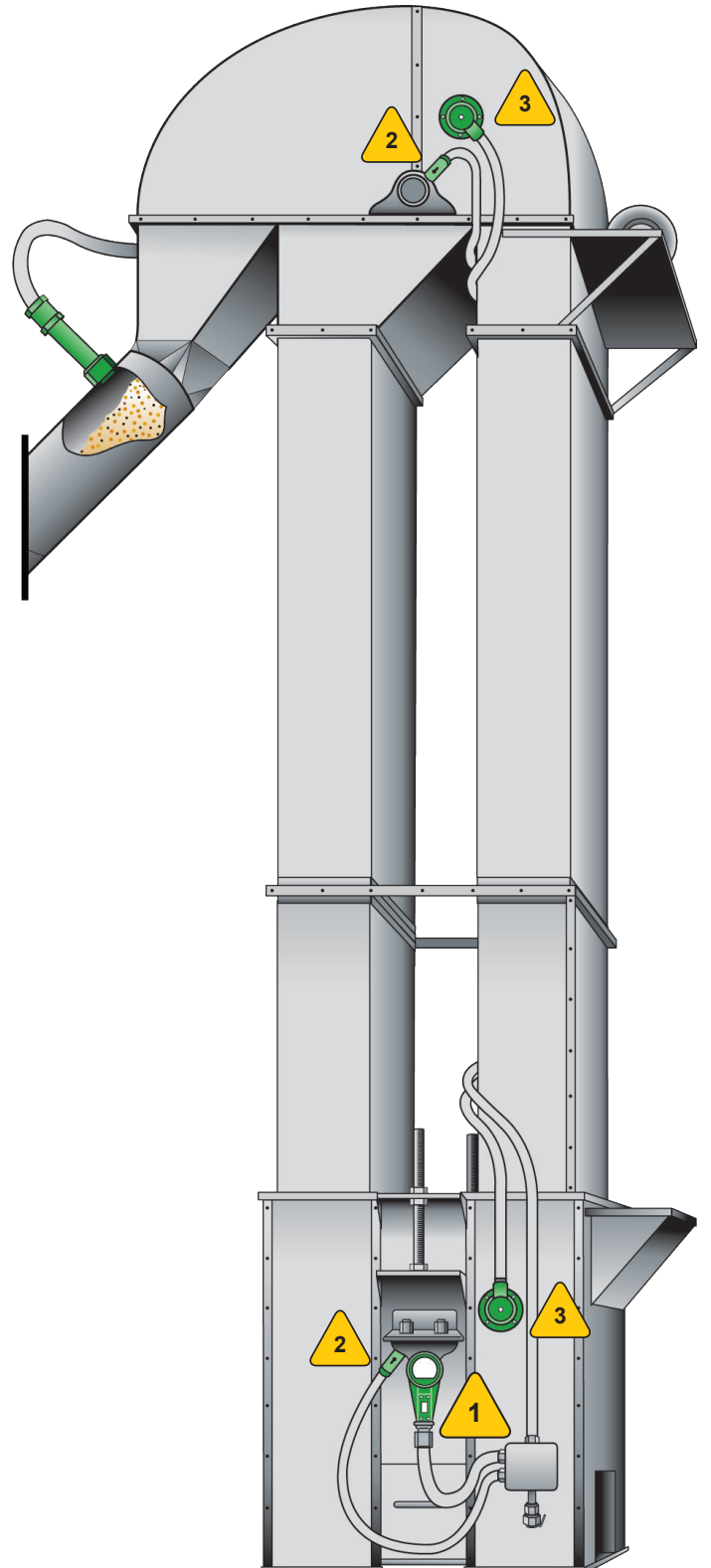
Unit can be used in outdoor locations, Ambient temperature and IP NEMA ratings should be considered. Product altitude is limited to 2000m above sea level. Humidity 0-100% RH, non-condensing.

6. SENSOR PLACEMENT DIAGRAMS



TYPICAL SENSOR PLACEMENT FOR BUCKET ELEVATORS & ENCLOSED BELT CONVEYORS

-  **SPEED MONITORING**
Qty 1 - One sensor located on either side of the tail or boot shaft.
-  **BEARING TEMPERATURE**
Qty. 4 - One sensor for the bearings at each end of the drive and tail or head and boot shafts.
-  **BELT MISALIGNMENT**
Qty. 4 - Sensors work in pairs, one for each side of the belt on the drive and tail or head and boot sections.
-  **TAIL PULLEY MISALIGNMENT (Enclosed Belt Conveyor)**
Qty. 2 - One sensor located on each side of the housing on the conveyor tail section.



WARNING

The Control Unit is susceptible to static voltage, static handling precautions should be taken. Connection of a clean ground to terminal 23 is essential for optimum performance.

Static Hazard – Clean Only With A Damp Cloth

Remove Power Before Opening Cover – Do Not Apply Power When Cover Is Open

7. ELECTRICAL CONNECTION

All wiring must be in accordance with local and national electrical codes and should be undertaken by an experienced and qualified electrician. All equipment should be properly grounded prior to operation.

Additional wire used during the installation must have a temperature rating of 158° F (70° C) or above, and be at least 24 AWG. 4B recommends using shielded cable to reduce electromagnetic interference (EMI) to maintain signal integrity. Never run sensor cables in the same conduit as three phase motor cables.

Always use dust/liquid tight flexible metal conduit with approved fittings to protect the sensor cables. Use rigid metal conduit to protect the cables from the sensors to the control unit. Conduit systems can channel water due to ingress and condensation directly to sensors and sensor connections which over time will adversely affect the performance of the system. As such, the installation of low point conduit drains is recommended for all sensors.

All electrical connections are shown in image 1.

FUSE RATINGS -

In order to maintain the product certification, all fuses **MUST** be replaced with equivalent fuses at the same rating. Failure to do so will invalidate the certification and any warranties which may exist.

Model ETH-NODE2V46C

- F1 - F4 and F6 2 Amp.
- F5 200 mA.

Model ETH-NODE2V4C

- F1 - F4 AND F5 200 mA

SENSOR INPUTS -

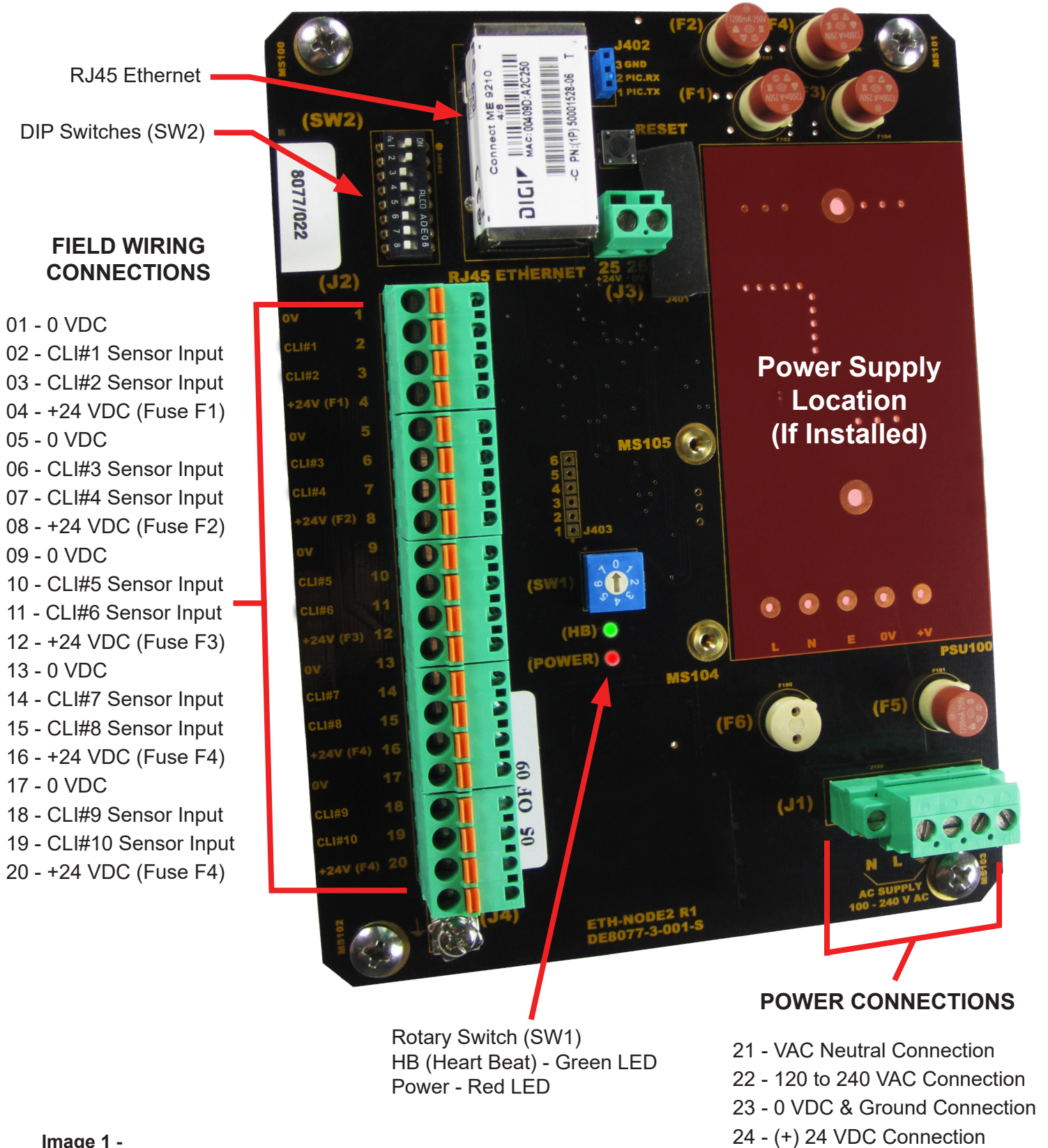
TERMINAL	SENSOR	MINIMUM	MAXIMUM
CLI#1 - CLI#10	Speed/Temperature (4-20 mA)	0 mA	20 mA

NOTE

Recommended cable type is Belden 5508FE with 10 conductors each 22 AWG, shielded. Overall outer diameter is 0.23 inches. Belden 5508FE wire colors are used in all of the sensor wiring diagrams.

! WARNING

The unit should ONLY be powered with either a main supply (ETH-NODE2V46C model) OR a 24 VDC (ETH-NODE2V4C) NOT BOTH (see specifications).



- FIELD WIRING CONNECTIONS**
- 01 - 0 VDC
 - 02 - CLI#1 Sensor Input
 - 03 - CLI#2 Sensor Input
 - 04 - +24 VDC (Fuse F1)
 - 05 - 0 VDC
 - 06 - CLI#3 Sensor Input
 - 07 - CLI#4 Sensor Input
 - 08 - +24 VDC (Fuse F2)
 - 09 - 0 VDC
 - 10 - CLI#5 Sensor Input
 - 11 - CLI#6 Sensor Input
 - 12 - +24 VDC (Fuse F3)
 - 13 - 0 VDC
 - 14 - CLI#7 Sensor Input
 - 15 - CLI#8 Sensor Input
 - 16 - +24 VDC (Fuse F4)
 - 17 - 0 VDC
 - 18 - CLI#9 Sensor Input
 - 19 - CLI#10 Sensor Input
 - 20 - +24 VDC (Fuse F4)

**Power Supply Location
(If Installed)**

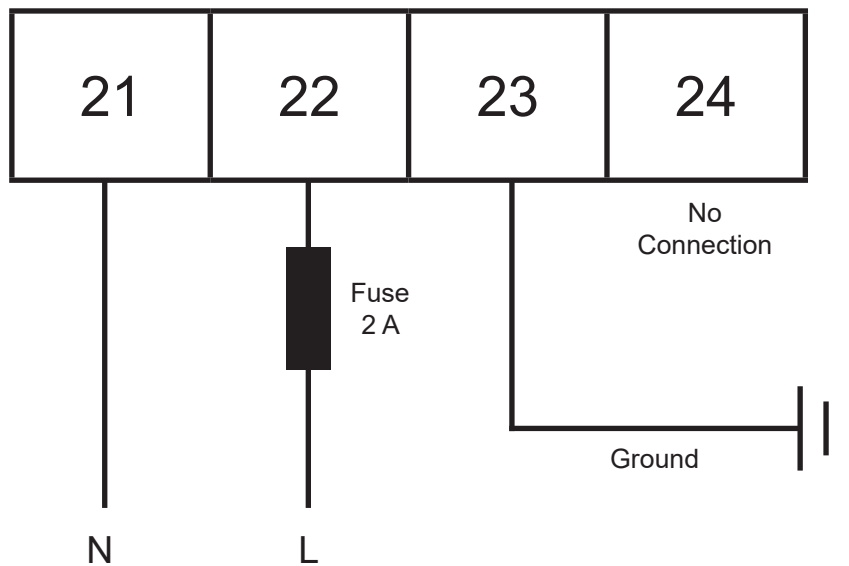
POWER CONNECTIONS

- 21 - VAC Neutral Connection
- 22 - 120 to 240 VAC Connection
- 23 - 0 VDC & Ground Connection
- 24 - (+) 24 VDC Connection

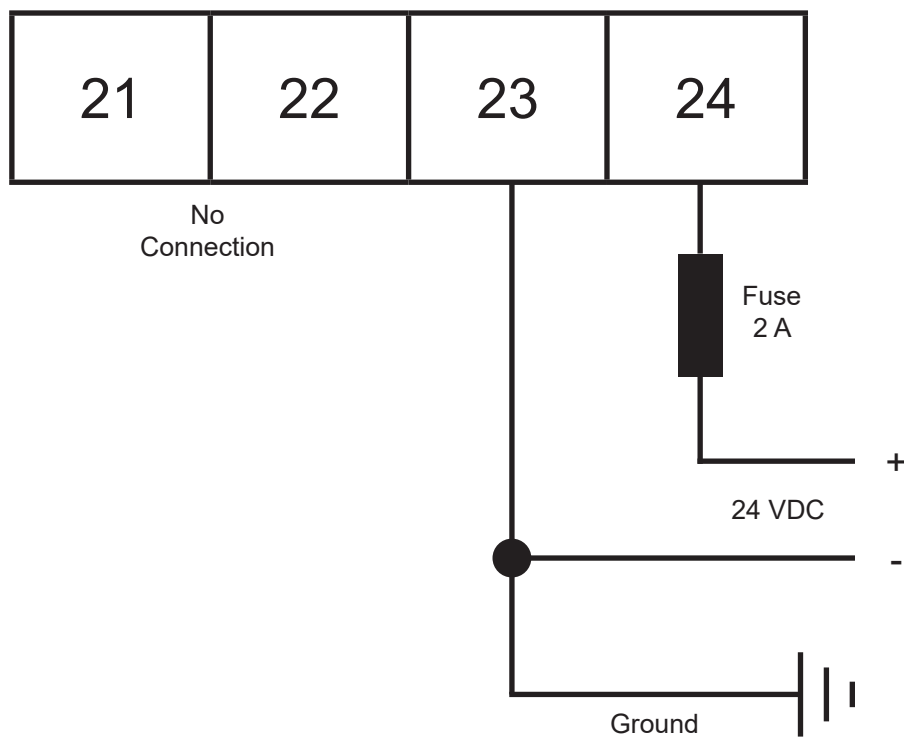
Image 1 - Control Board - No Internal Power Supply

8. WIRING DIAGRAMS

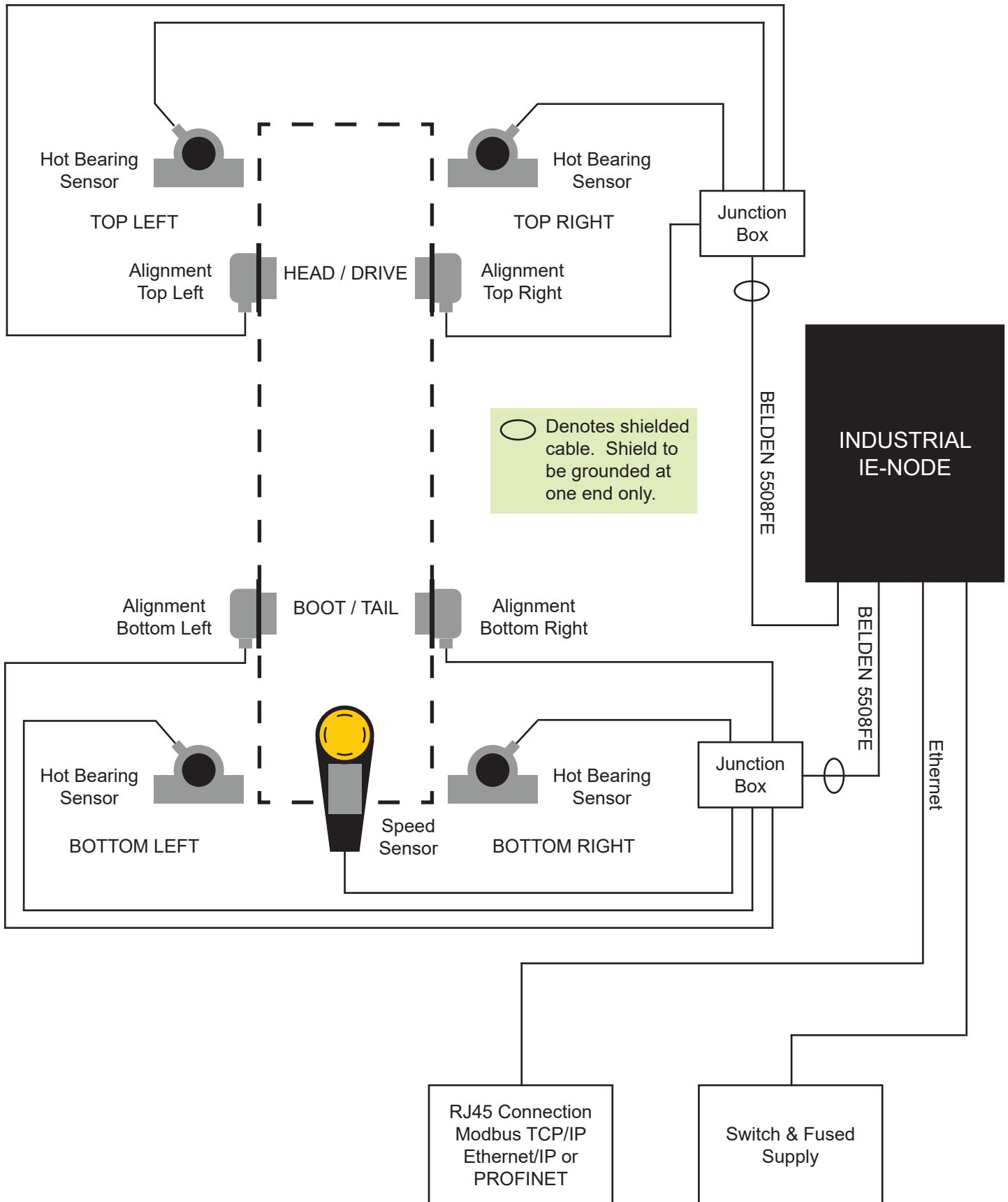
8.1 SUPPLY VOLTAGE WIRING (120 TO 240 VAC)



8.2 SUPPLY VOLTAGE WIRING (24 VDC)



8.3 WIRING BLOCK DIAGRAM FOR BUCKET ELEVATOR & BELT CONVEYOR -

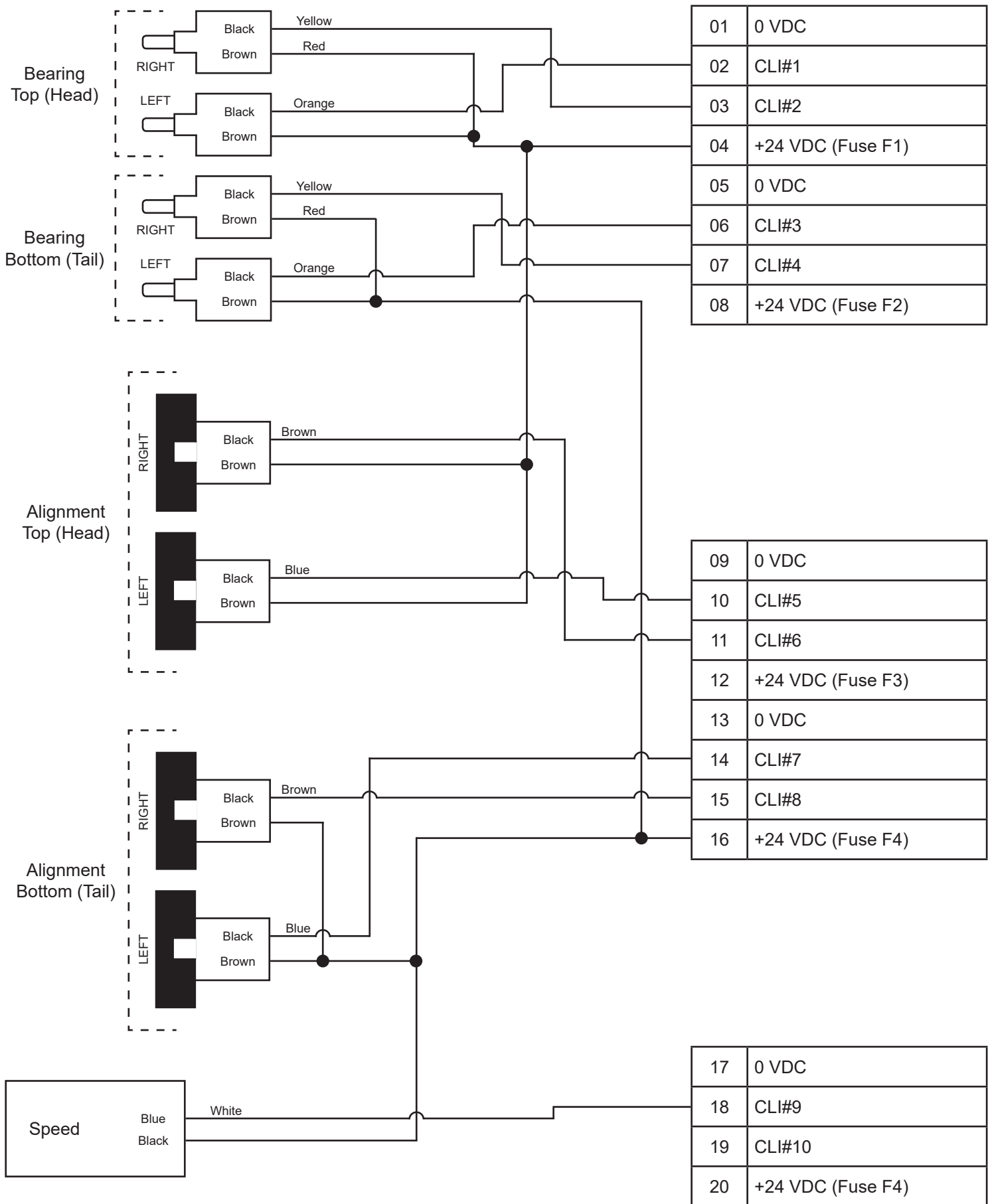


NOTE

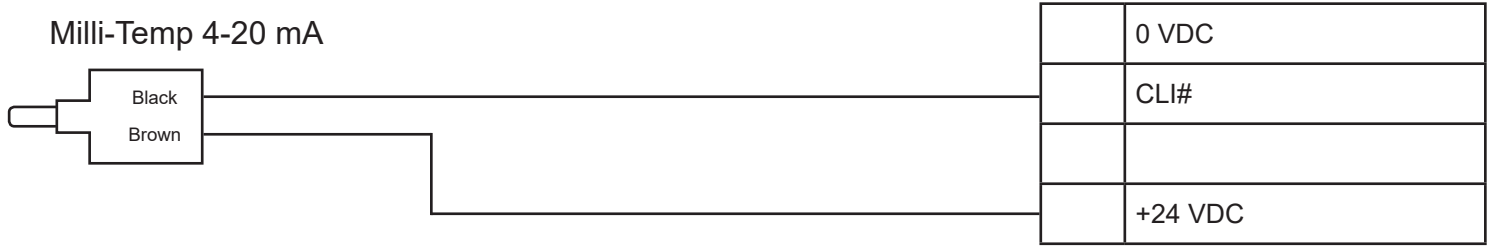
- Metal conduit and liquid tight should be used to protect the cables from physical damage.
- Left and right are determined when facing the direction the bucket elevator discharges.

8.4 STANDARD SENSOR WIRING DIAGRAM:

- MILLI-TEMP (BEARING TEMP), RUB BLOCKS (BELT ALIGNMENT) & MILLI-SPEED (SPEED)



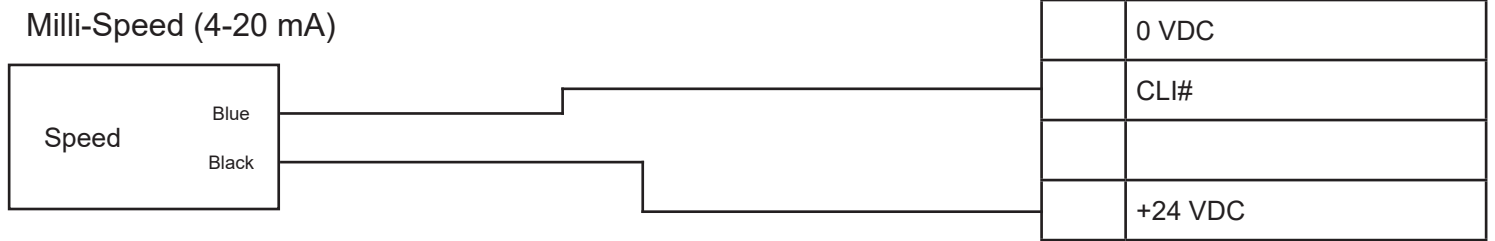
8.5 INDIVIDUAL BEARING SENSOR WIRING DIAGRAMS:



8.6 INDIVIDUAL BELT ALIGNMENT SENSOR WIRING DIAGRAMS:



8.7 INDIVIDUAL SPEED SENSOR WIRING DIAGRAMS:



9. IE-NODE OPERATION

The Industrial Ethernet Node is designed to sample data from several sensors and provide this data to remote users or PLC's on request. It is only a reporting system, and does not control any other system or device.

9.1 STARTUP OPERATION -

After all sensor and power connections have been made, locate the POWER and HB (Heart Beat) LED's on the IE-NODE's control board (See Image 1). When the unit is powered on, the red power LED should be solid and the green HB LED should begin flashing.

The HB LED will behave in one of four ways -

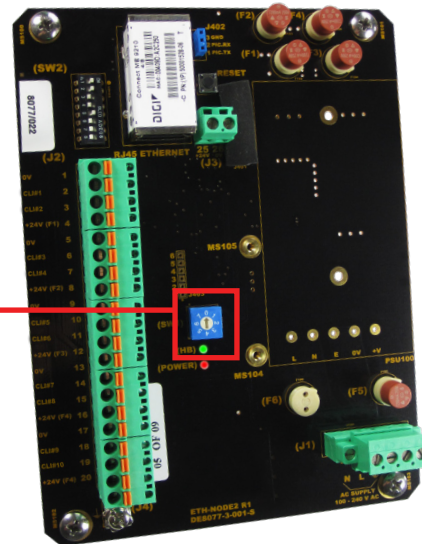
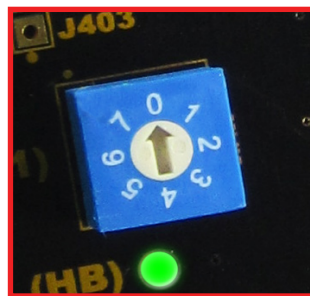
HB LED	DESCRIPTION
Off	No internal communications, indicates an issue with the firmware or hardware.
On	Normal operation, no external communications from a PLC or other device.
Flashing	Normal operation, external communication detected from a PLC or other device.
Fading	Bootloader mode (allows for software updates)

9.2 ROTARY SWITCH (SW1) -

The rotary switch on the IE-NODE (Image 2) is used for setting the node slave ID when using one of the optional expansion boards that support RS485. Refer to the expansion board manual for installation and setup.

If SW1 Node ID functionality is not enabled, the default Modbus ID number is derived from the last 2 digits of the product serial number. For example, if the last 2 digits of the serial number are '00' then the ID number becomes '100' given that the ID number ranges from 1 to 100.

Image 2 - Control Board Rotary Switch (SW1)



POSITION	NODE ID
0	100
1	1
2	2
3	3
4	4
5	5
6	6
7	7

9.3 DIP SWITCHES (SW2) -

The IE-NODE has a set of eight DIP switches to change settings (Image 3). Each switch setting is described in the table below. If a switch setting is changed, the unit must be restarted for the change to take effect.

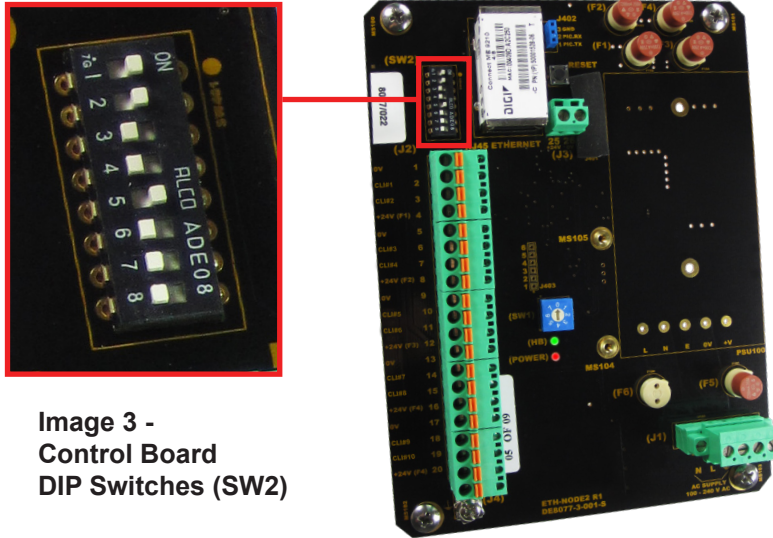


Image 3 -
Control Board
DIP Switches (SW2)

SWITCH	DESCRIPTION	OFF (LEFT)	ON (RIGHT)
1	PLC Protocol Selection	PROFINET	EtherNet/IP
2	Temperature Unit	°C	°F
3	Reserved - Not Used (No Effect)	----	----
4	Reserved - Not Used (No Effect)	----	----
5	Bootloader Selection	Allowed	Disabled
6	HazardMon.com Setup	Enabled	Disabled
7	Reserved - Not Used (No Effect)	----	----
8	RTU Node ID Source	Rotary Switch (SW1)	Internal

9.4 PLC PROTOCOL SELECTION -

The IE-NODE will always have Modbus TCP/IP enabled, but it can also communicate over PROFINET or Ethernet/IP (selectable).

9.5 TEMPERATURE UNIT -

The IE-NODE output temperature readings can be set as degrees Celcius or Fahrenheit.

9.6 BOOTLOADER SELECTION -

This switch selects whether bootloading for software updates is permitted or not. The switch is set to OFF from the factory.

9.7 RTU NODE ID SOURCE -

This switch enables the Node ID settings for RS485 Modbus RTU. If the rotary switch (Off - Left) is chosen, the node address is set from the rotary switch (Section 9.2). If internal (On - Right) is chosen, then the node address is set from the IE-NODE Network Configurator Software (Section 11).

9.8 INTERNAL TEMPERATURE SENSOR -

In addition to the 10 sensor inputs, the IE-NODE is fitted with an internal NTC temperature sensor. This device is mounted to the IE-NODE PCB and will therefore provide the temperature of the electronics. If an IE-NODE is mounted in the field, it could be used to approximate the local ambient temperature, but will report temperatures approximately 10°F (5°C) higher than local ambient. For a more accurate ambient temperature reading, an ambient temperature sensor can be wired to one of the 10 sensor inputs.

10. COMMUNICATIONS OPTIONS

The IE-NODE comes with a standard RJ45 Ethernet Socket. The unit is sent out from the factory with the following IP address settings pre-set:

FACTORY SETTING	VALUE
IPV4 Address	192.168.1.100
Subnet Mask	255.255.255.0
Default Gateway	192.168.1.1
Primary DNS Server	0.0.0.0
Secondary DNS Server	0.0.0.1

The IE-NODE supports PROFINET and EtherNet/IP communication protocols. The data allocation is exactly the same for both the protocols and detailed information can be found in the IE-NODE Data Format document.

The byte order within words is dependent on the selected protocol. For PROFINET it is Little-Endian and for EtherNet/IP it is Big-Endian.

Modbus TCP is supported in addition to PROFINET and EtherNet/IP. The Modbus TCP information contains equivalent information to the PROFINET and EtherNet/IP array type communications.

The Ethernet Node also has an FTP server. This should only be used for firmware updates. User should not use this FTP server to store any files as it may become problematic to perform future firmware updates if not enough free space is left on the device. Contact 4B for a copy of the firmware update guide.

11. EXPANSION BOARDS

Two expansion boards are available for the IE-NODE to expand total sensor inputs from 10 to 16.

1. The ETH-NODE-AUXI-6NTC expansion board allows for the support of up to 6 additional NTC temperature sensors or 6 contact sensors, or any combination of 6.
2. The ETH-NODE-AUXI-6AN expansion board allows for the support of up to 6 additional 4-20 mA (current loop) sensors.

Both boards add the capability to allow for an RS485 Modbus RTU connection to be made to access all onboard sensor information. Refer to the expansion board manual(s) for installation and setup.

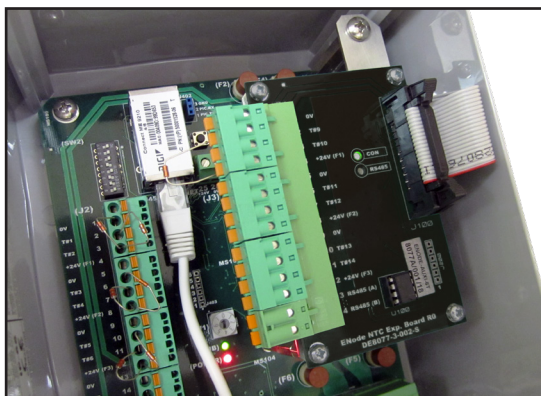
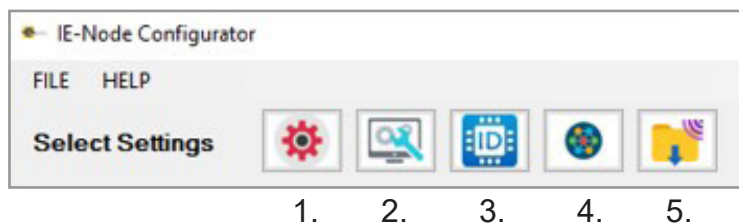


Image 4 -
Expansion Board Installed

12. IE-NODE NETWORK CONFIGURATOR SOFTWARE

The IE-NODE network configurator software provides you with a visual view of all devices on the network. It allows for easy identification for each unit on the network, and allows you to change network settings as needed.

The software does not ship with the unit, it is available as a free download from 4B's website (see the IE-NODE product page).



1. Update IE-NODE Configuration Settings
2. Update IE-NODE Main/Auxiliary Firmware
3. Change ETH-NODE X Modbus ID
4. DIGI Finder Graphical Interface
5. Update DIGI Module via FTP

Image 5 - Network Menus

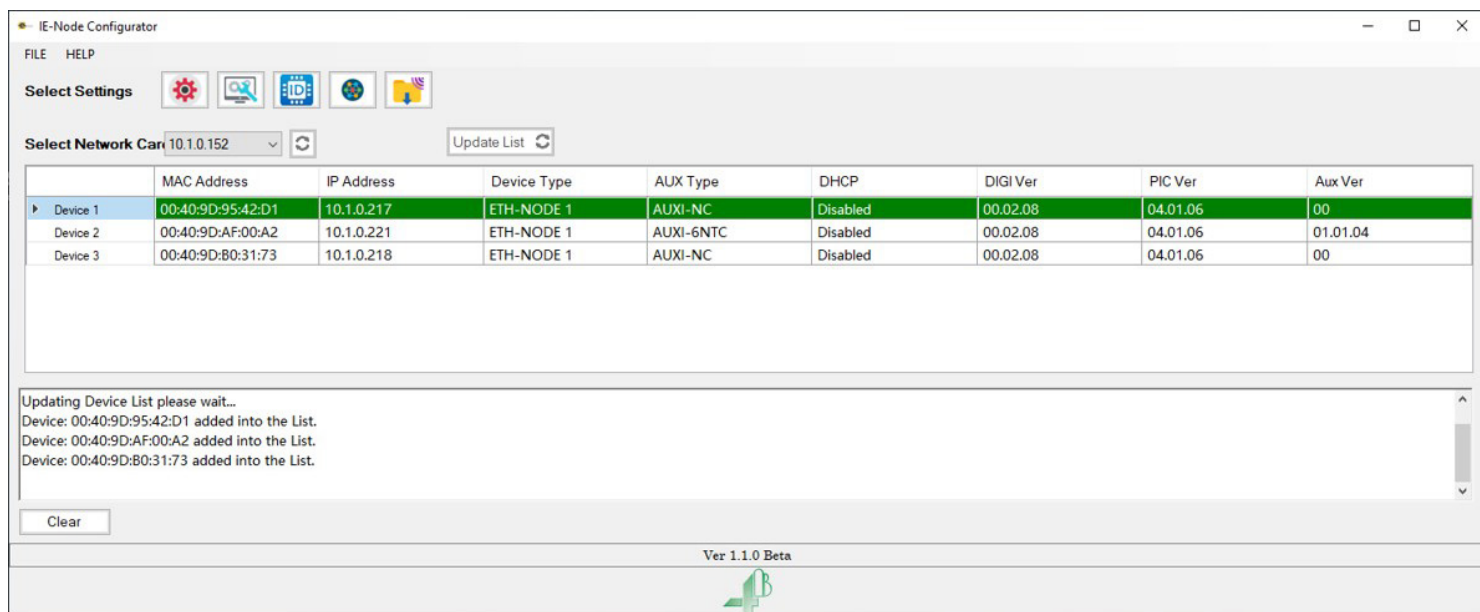


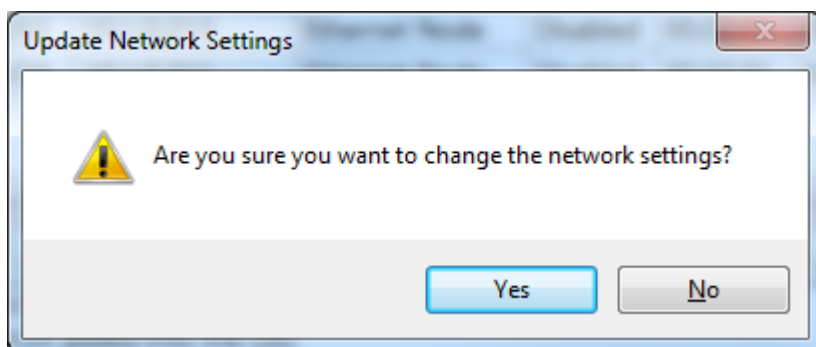


Image 6 - IE-NODE Configurator Menu

When opened, the software will automatically scan the network (Image 6). If the IE-NODE is on a different network card than the one selected, you can change the selection in the drop down menu and select "Update List". If you add or remove a network device after the software is opened, you can select the "Refresh" icon  to update the list of network cards in the drop down menu.

To change the network settings of one of the nodes, highlight the node and select the "DIGI Finder Graphical Interface" icon .



Select "Yes" to continue with the update.

A "Network Configurator" will launch and rescan the network -

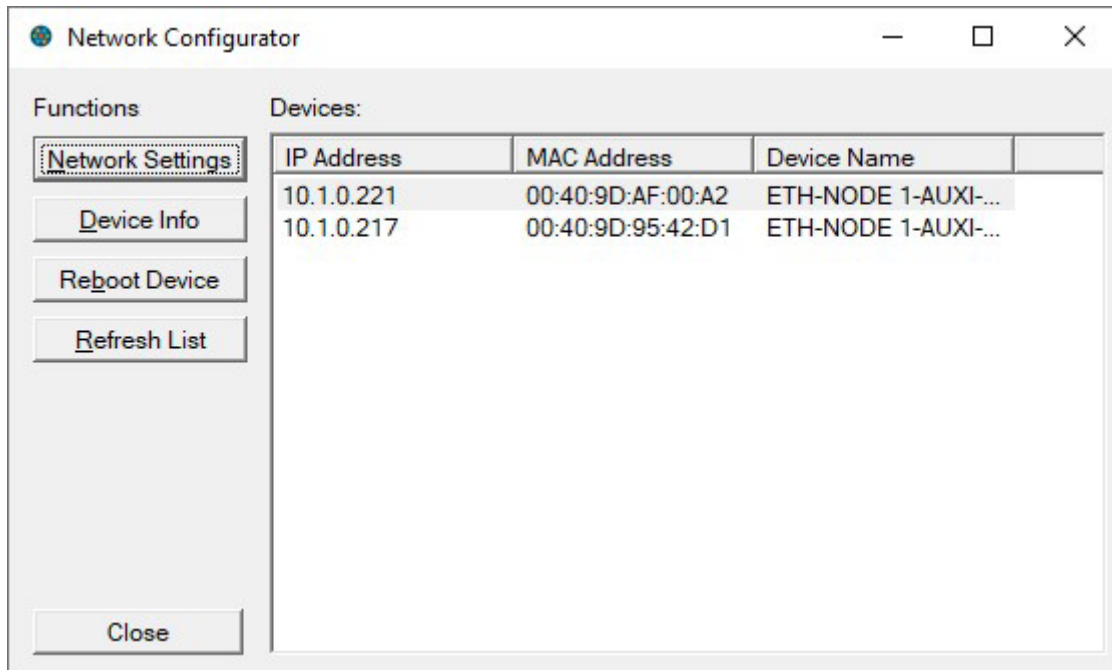


Image 7 - Network Configurator Menu

If nothing is found, try updating your computer's network settings to the same IP address range as the IE-NODE and select "Refresh List". To change the network settings of an IE-NODE, highlight it from the device list and select "Network Settings".

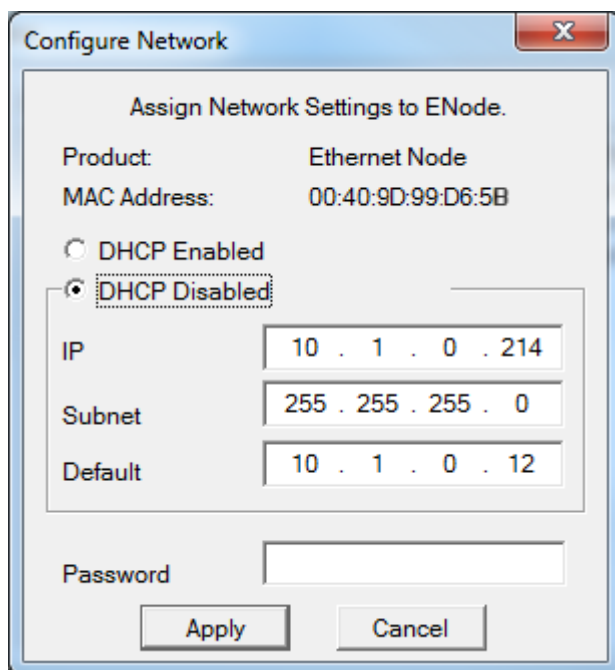
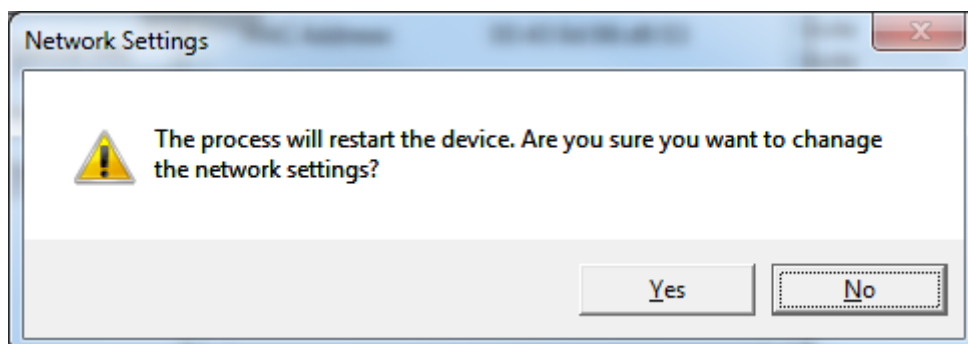



Image 8 - Configurator Network Menu

Enter the network changes followed by the password "BBBB" then select "Apply". You will be prompted if you want to continue, select "Yes" to restart the device and apply the new settings.



If you prefer to use the built-in web server on the IE-Node, you can select “Update IE-NODE Configuration Settings” icon  from the main menu, or simply enter the node’s IP address into a web browser.

Enter the user name “root” followed by the password “BBBB” then select “OK”. Once logged in, you will be taken to the home page on the web server. Click on “Network Settings” to get to the IP address settings page. Enter the IP settings that you require, and click Apply.

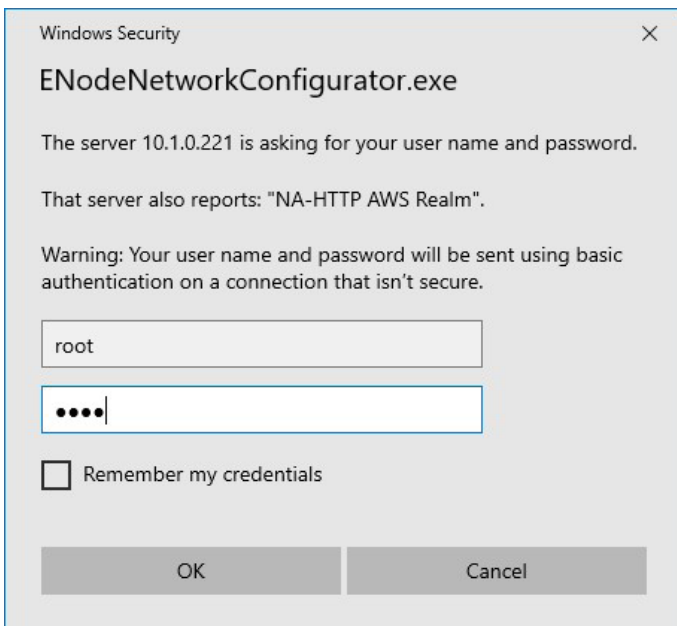


Image 9 - IE-NODE Network Configurator Sign In

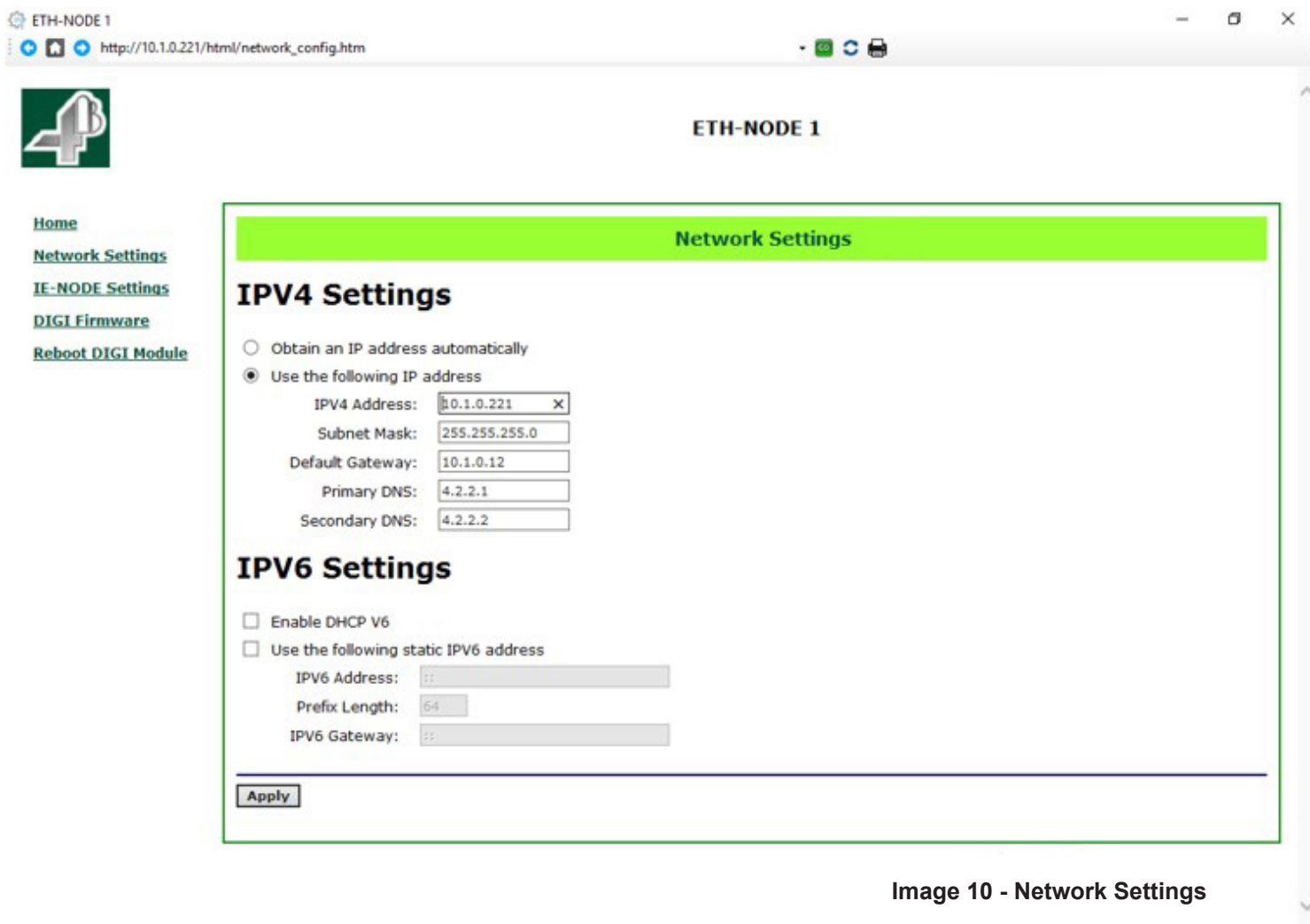
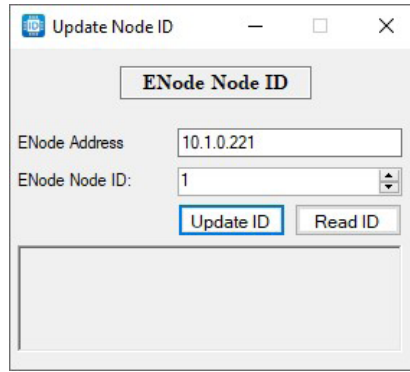


Image 10 - Network Settings

If you are using an expansion card with a Modbus RTU connection, you can update the Modbus RTU ID of the IE-NODE by selecting “Change ETH-NODE X Modbus ID” from the main menu (Image 6).



**Image 11 -
Update Node ID**

You can interrogate the device for its current ID by selecting “Read ID”. You can also enter a new ID and update the ID of the IE-NODE by selecting “Update ID”. Note that this ID will only be used if dipswitch 8 is in the ON (Right) position. Otherwise, the rotary switch will override the address in memory.

Unless instructed by 4B, do not use “Update IE-NODE Main/Auxiliary Firmware” or “Update DIGI Module via FTP” from the IE-NODE’s Configurator Menu (Image 6) as these options are used for firmware updates.

For any questions regarding using the network configuration software or any network settings, contact 4B.

13. TROUBLESHOOTING GUIDE

CONDITION	SOLUTION
Power LED is Off	<ol style="list-style-type: none"> 1. Check that power is applied to the unit on appropriate terminals (21 - 24). 2. Check that the mains input fuse F6 is not damaged. 3. Check that the internal circuitry fuse F5 is not damaged.
No power to the sensors	<ol style="list-style-type: none"> 1. Check that the field power fuses (F1 - F4) are not damaged. 2. Check the field wiring to make sure +24 VDC supply is delivered to the sensors. 3. Replace faulty fuses and sensors as necessary.
4-20 mA (current loop) sensor in short circuit	<ol style="list-style-type: none"> 1. Check if the sensor is powered correctly (+24 VDC). 2. Check that the sensor is wired correctly. 3. If needed, replace the faulty sensor.

14. TESTING AND MAINTENANCE

Below is the procedure that the end user must adhere to in order to maintain the system in a safe state.

1. Inspect that all the cabling is in good state and that all the electrical connections, including the terminal blocks in the junction boxes are secure and in good order.
2. Make sure there is no water damage to the inside of the node or any junction boxes used.
3. Verify that the configuration switches of the IE-NODE are set as intended.
4. Verify that the LED marked (HB) is flashing at a regular rate.
5. Test sensor settings, check for PLC communication loss, etc. to ensure the controller is behaving as expected.

WARNING

If the system does not immediately shutdown as expected or alarm as required, then remove the machine from service until the problem has been diagnosed and corrected.

15. WARNINGS PRESENT ON PRODUCT

ClassII Div2 - ETH-NODE2V46CAI

Remove Power Before Opening Cover – Do Not Apply Power When Cover Is Open

Couper L'Alimentation Avant L'Ouverture Du Boitier – Ne Pas Alimenter Si Le Boitier Est Ouvert

Warning Static Hazard Only To Be Cleaned With Damp Cloth

Risque D'Électricité Statique – Seulement À Nettoyer Avec Un Chiffon Humide

ClassII Div1 - ETH-NODE2V4CAI

WARNING – EXPLOSION HAZARD – Do not connect or disconnect while circuit is live unless area is known to be non-hazardous

AVERTISSEMENT - RISQUE D'EXPLOSION – Ne pas debrancher tant que le circuit est sous tension, a moins qu'il ne s'agisse d'un emplacement non dangereux

POTENTIAL ELECTROSTATIC CHARGING HAZARD –CLEAN ONLY WITH A DAMP CLOTH

RISQUE DE CHARGE ÉLECTROSTATIQUE POTENTIEL - NETTOYAGE AVEC UN CHIFFON HUMIDE SEULEMENT

DO NOT OPEN WHEN ENERGIZED

NE PAS OUVRIR LORSQU'IL EST ÉNERGISÉ

16. PRODUCT WARRANTY

1. EXCLUSIVE WRITTEN LIMITED WARRANTY

ALL PRODUCTS SOLD ARE WARRANTED BY THE COMPANY 4B COMPONENTS LIMITED AND 4B BRAIME COMPONENTS LIMITED HEREIN AFTER REFERRED TO AS 4B TO THE ORIGINAL PURCHASER AGAINST DEFECTS IN WORKMANSHIP OR MATERIALS UNDER NORMAL USE FOR ONE (1) YEAR AFTER DATE OF PURCHASE FROM 4B. ANY PRODUCT DETERMINED BY 4B AT ITS SOLE DISCRETION TO BE DEFECTIVE IN MATERIAL OR WORKMANSHIP AND RETURNED TO A 4B BRANCH OR AUTHORIZED SERVICE LOCATION, AS 4B DESIGNATES, SHIPPING COSTS PREPAID, WILL BE, AS THE EXCLUSIVE REMEDY, REPAIRED OR REPLACED AT 4B'S OPTION.

2. DISCLAIMER OF IMPLIED WARRANTY

NO WARRANTY OR AFFIRMATION OF FACT, EXPRESSED OR IMPLIED, OTHER THAN AS SET FORTH IN THE EXCLUSIVE WRITTEN LIMITED WARRANTY STATEMENT ABOVE IS MADE OR AUTHORIZED BY 4B. 4B SPECIFICALLY DISCLAIMS ANY LIABILITY FOR PRODUCT DEFECT CLAIMS THAT ARE DUE TO PRODUCT MISUSE, ABUSE OR MISAPPLICATIONS, AS AUTHORIZED BY LAW, 4B SPECIFICALLY DISCLAIMS ALL WARRANTIES THAT THE PRODUCT IS FIT OR MERCHANTABLE FOR A PARTICULAR PURPOSE.

3. NO WARRANTY "BY SAMPLE OR EXAMPLE"

ALTHOUGH 4B HAS USED REASONABLE EFFORTS TO ACCURATELY ILLUSTRATE AND DESCRIBE THE PRODUCTS IN ITS CATALOGS, LITERATURE, AND WEBSITES, SUCH ILLUSTRATIONS AND DESCRIPTIONS ARE FOR THE SOLE PURPOSE OF PRODUCT IDENTIFICATION AND DO NOT EXPRESS OR IMPLY A WARRANTY AFFIRMATION OF FACT, OF ANY KIND OR A WARRANTY OR AFFIRMATION OF FACT THAT THE PRODUCTS WILL CONFORM TO THEIR RESPECTIVE ILLUSTRATIONS OR DESCRIPTIONS. 4B EXPRESSLY DISCLAIMS ANY WARRANTY OR AFFIRMATION OF FACT, EXPRESSED OR IMPLIED, OTHER THAN AS SET FORTH IN THE EXCLUSIVE WRITTEN LIMITED WARRANTY STATEMENT ABOVE, INCLUDING, WITHOUT LIMITATION, THE IMPLIED WARRANTIES OF MERCHANTABILITY AND FITNESS FOR A PARTICULAR PURPOSE.

4. LIMITATION OF DAMAGES

ANY LIABILITY FOR CONSEQUENTIAL, INCIDENTAL, SPECIAL, EXEMPLARY, OR PUNITIVE DAMAGES, OR FOR LOSS OF PROFIT WHETHER DIRECT OR INDIRECT, IS EXPRESSLY DISCLAIMED.

With subsidiaries in North America, Europe, China, Asia, Africa and Australia along with a worldwide network of distributors, 4B can provide practical solutions for all your applications no matter the location.



4B BRAIME COMPONENTS LTD.

Hunslet Road
Leeds
LS10 1JZ
United Kingdom
Tel: +44 (0) 113 246 1800
Email: 4b-uk@go4b.com

4B DEUTSCHLAND

35 Bis Rue Du 8 Mai 1945
80800 Villers, Bretonneux
France
Tel: +49 (0) 2333 601681
Email: 4b-deutschland@go4b.com

4B AFRICA

14 Newport Business Park
Mica Drive, Kya Sand
2163 Johannesburg
South Africa
Tel: +27 (0) 11 708 6114
Email: 4b-africa@go4b.com

4B FRANCE

35 Bis Rue Du 8 Mai 1945
80800 Villers, Bretonneux
France
Tel: +33 (0) 3 22 42 32 26
Email: 4b-france@go4b.com

4B COMPONENTS LTD.

625 Erie Avenue
Morton, IL 61550
USA
Tel: 309-698-5611
Fax: 309-698-5615

4B ASIA PACIFIC

Build No. 899/1 Moo 20
Soi Chongsiri, Bangplee-Tam
Ru Road, Tanbon Bangpleeyai,
Amphur Bangplee,
Samutprakarn 10540
Thailand
Tel: +66 (0) 2 173-4339
Email: 4b-asiapacific@go4b.com

4B China

F1, Building 5A,
Jintong Industrial Park,
8 West Lake Road,
Wujin High & New TDZ,
Changzhou, Jiangsu, PRC
Tel: +86-519-88556006
Email: 4b-china@go4b.com

4B AUSTRALIA

Building 1, 41 Bellrick Street
Acacia Ridge
Queensland 4110
Australia
Tel: +61 (0)7 3216 9365
Email: 4b-australia@go4b.com



www.go4b.com