

Watchdog™ Super Elite

Bucket Elevator & Conveyor Hazard Monitor



APPLICATION

Combined belt alignment, belt speed, continuous bearing temperature, pulley alignment and plug condition monitor for bucket elevators and conveyors.

METHOD OF OPERATION

A complete elevator and conveyor monitoring system with inputs for most of the types of sensors standard in the industry. Offers top-of-the-class flexibility and machine monitoring. Unprecedented user friendliness via a 3.5" full color bespoke design graphics screen. Controller settings can be set up either directly on the unit or via a PC application and transferred between the WDC4s and PC via a SD card. In-built Ethernet port with full support for the Hazardmon.com -cloud based monitoring service.

FEATURES

- ▶ **Belt Speed Monitoring (Single and Differential Speed)**
- ▶ **Belt Alignment Monitoring (Contact, Pulsed and Rub Blocks)**
- ▶ **Bearing Temperature Monitoring**
- ▶ **Pulley Alignment Monitoring**
- ▶ **Plug Condition Monitoring**
- ▶ **Acceleration Monitoring**
- ▶ **Jog Prevention**
- ▶ **3.5" Colour Graphics LCD Display**
- ▶ **SD Card for Settings Save / Restore and Firmware Updates**
- ▶ **Ethernet RJ45 Port**
- ▶ **Hazardmon.com support for real-time remote monitoring and historical analysis**

WATCHDOG PART NUMBERS

- ▶ WDC4V46CAI Multi-Voltage Model
(110Vac,240Vac 50/60Hz and 24Vdc)
- ▶ WDC4V4CAI 24Vdc only Model

ACCESSORIES

- ▶ P3001V34AI P300 Speed Sensor
- ▶ WG4A-BR Whirligig Speed Sensor Mount
- ▶ MAG2000M Magnetic Shaft Mount for the Whirligig
- ▶ TS1V4AI Touchswitch - Belt Alignment Sensor
- ▶ WDA3V34CAI WDA Motion Alignment Sensor
(Belt Alignment Alternative)
- ▶ ADB810V3AI Adjustable Depth Bearing Temperature Sensor
(NTC)
- ▶ WDB70V3AI Lug Type Temperature Sensor (NTC)
- ▶ BS15V10AI Binswitch - Plug Condition Detection
- ▶ ATS6V0A Autoset - Plug Condition Detection (Alternative)



Please refer to instruction manual for correct installation. Information subject to change or correction. March 2017

Bucket Elevator Application A (Plastic Or Steel Elevator Buckets)

Belt Misalignment



Touchswitch -

Contact type electro-mechanical limit-switch with no moving parts, which detects tracking and misalignment problems.

6

Plug Condition



Binswitch -

Capacitance style sensor that can detect plugged spouts, inlets and outlets.

3

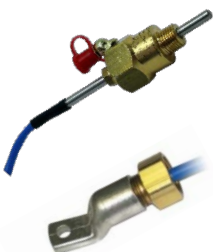
Autoset -

Heavy duty capacitance style sensor with automatic material build up compensator that can detect plugged spouts, inlets and outlets.



8

Bearing & Surface Temperature



ADB & WDB Series -

1. Grease through, positive mounting, NTC thermistor with user adjustable trip points. ADB series has adjustable depth probes.
2. Surface mount NTC thermistor designed to bolt onto a bearing or gearbox housing.

1

Speed Monitoring



Speed Sensor -

Industry standard inductive sensor for detecting belt slip conditions. Shown on boot shaft with the optional Whirligig target/bracket/guard for easy installation.

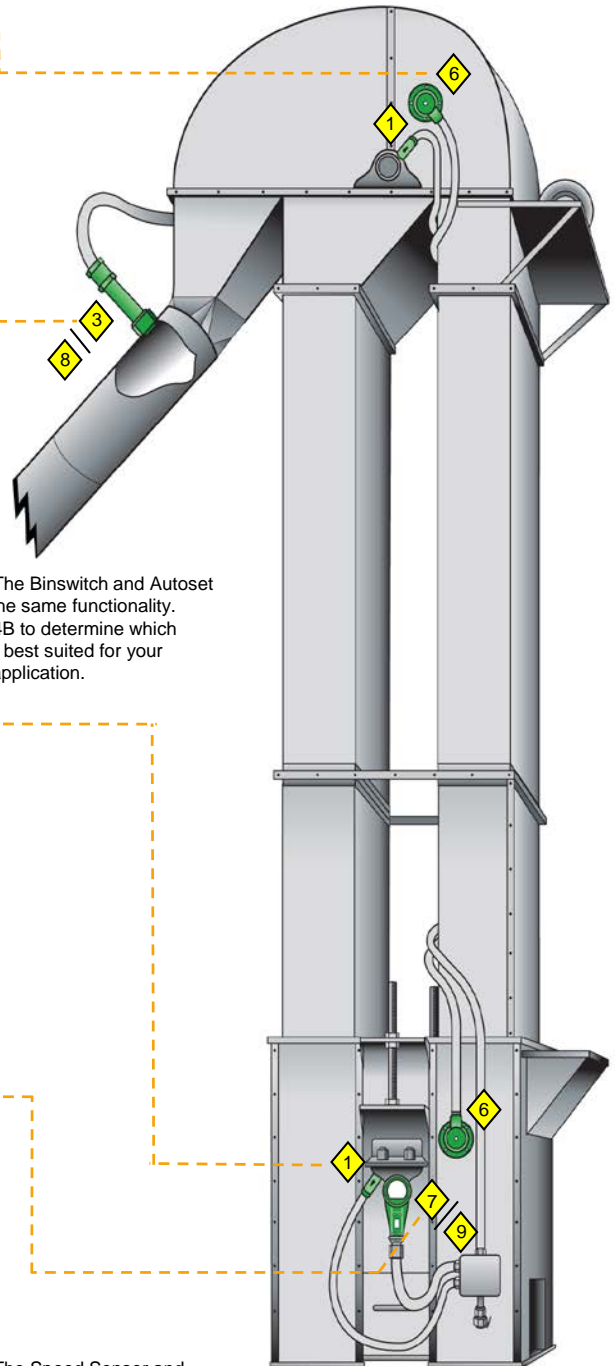
7

Rotech Encoder -

Heavy duty option for monitoring underspeed and belt slip conditions. Made from cast aluminum, the Rotech is used in the most severe industrial environments.



9



NOTE: The Binswitch and Autoset provide the same functionality. Consult 4B to determine which sensor is best suited for your specific application.

NOTE: The Speed Sensor and Rotech Encoder provide the same functionality. Consult 4B to determine which sensor is best suited for your specific application.

Please refer to instruction manual for correct installation. Information subject to change or correction. March 2017

Bucket Elevator Application B (Steel Elevator Buckets)

Motion (Speed) & Alignment



WDA Sensor -

Non-contacting extended range sensor used to detect targets which are up to 75mm (3 inches) from the sensor. High temperature version available (150°C continuous, 180°C max.).



Plug Condition



Binswitch -

Capacitance style sensor that can detect plugged spouts, inlets and outlets.



Autoset -

Heavy duty capacitance style sensor with automatic material build up compensator that can detect plugged spouts, inlets and outlets.

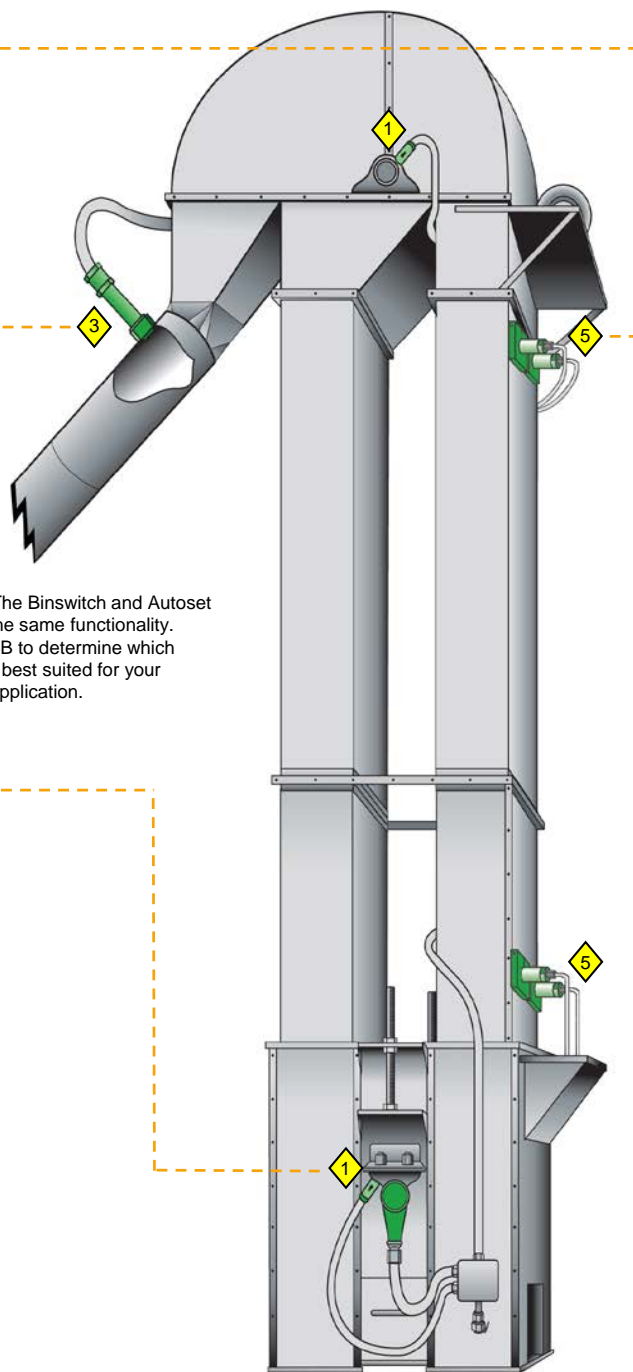


Bearing & Surface Temperature



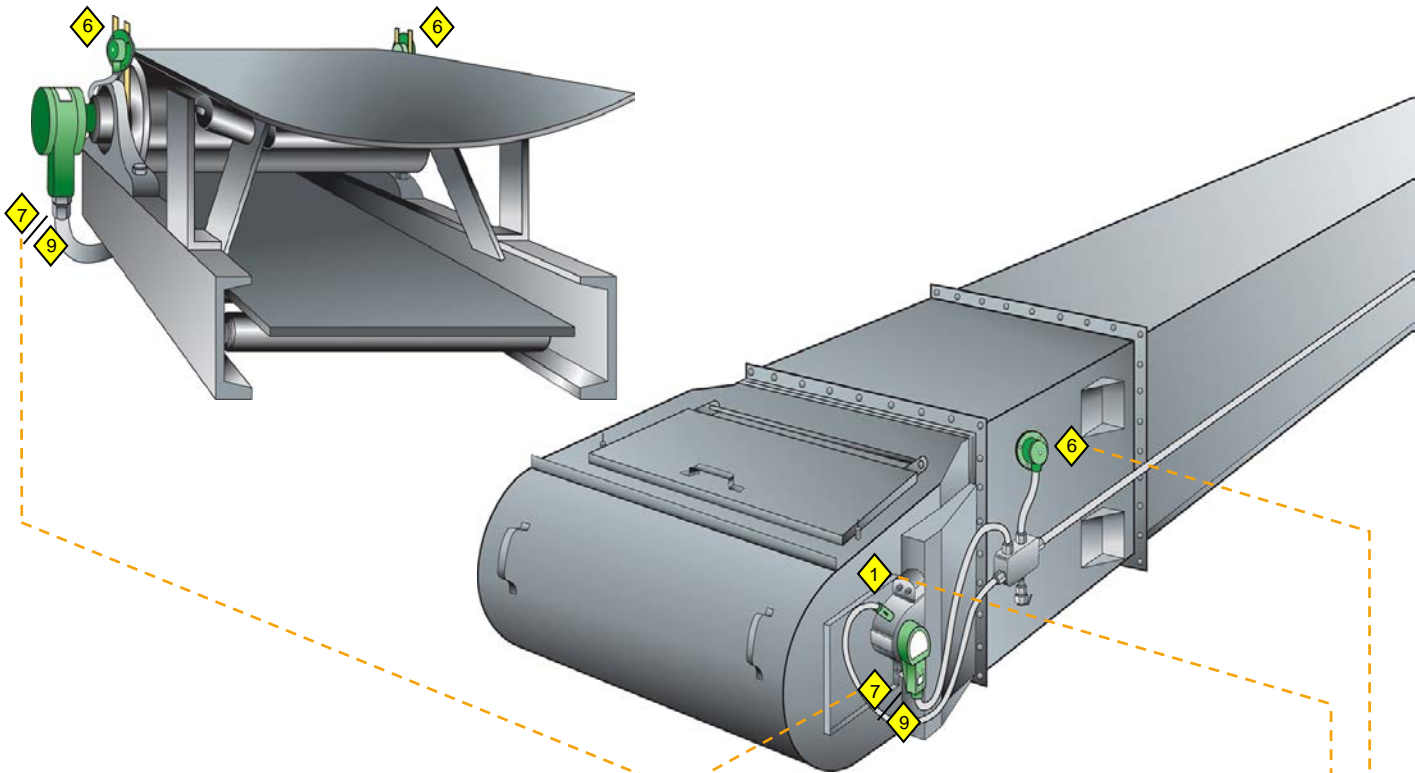
ADB & WDB Series -

1. Grease through, positive mounting, NTC thermistor with user adjustable trip points. ADB series has adjustable depth probes.
2. Surface mount NTC thermistor designed to bolt onto a bearing or gearbox housing.



NOTE: The Binswitch and Autoset provide the same functionality. Consult 4B to determine which sensor is best suited for your specific application.

Standard Conveyor Application (Open & Enclosed)



Speed Monitoring



Speed Sensor -

Industry standard inductive sensor for detecting belt slip conditions. Shown on boot shaft with the optional Whirligig target/bracket/guard for easy installation.



Rotech Encoder -

Heavy duty option for monitoring underspeed and belt slip conditions. Made from cast aluminum, the Rotech is used in the most severe industrial environments.



NOTE: The Speed Sensor and Rotech Encoder provide the same functionality. Consult 4B to determine which sensor is best suited for your specific application.

Bearing & Surface Temperature



ADB & WDB Series -

1. Grease through, positive mounting, NTC thermistor with user adjustable trip points. ADB series has adjustable depth probes.
2. Surface mount NTC thermistor designed to bolt onto a bearing or gearbox housing.



Belt Misalignment



Touchswitch -

Contact type electro-mechanical limit-switch with no moving parts, which detects tracking and misalignment problems.



TECHNICAL SPECIFICATIONS



Watchdog Control Unit

Power Supply:	WDC4V46CAI - 110 VAC, 240 VAC (50/60 Hz) and 24 VDC WDC4V4CAI - 24VDC ONLY
Power Consumption:	12 Watts
Alarm & Stop Relay:	2 x Pole Normally Open - 8A @ 250 VAC Voltage Free Changeover
Sensor Inputs:	15 (Expandable to 27 with Auxiliary Boards)
Sensor Supply:	24 VDC @ 800 mA (Across F1, F2 and F3)
Speed Range:	120 - 4,000 Pulses/Minute
Construction:	Polycarbonate Enclosure with IP66 / NEMA 4X
Dimensions:	298 x 241 x 133 (mm) / 11-3/4 x 9-1/2 x 5-1/4 (inches)
Enclosure Holes:	2 holes x 25mm Diameter

Approvals:	V46 ATEX and IECEx: Zone 22 CSA: CLII DIV2 Groups F & G InMetro (Brazil), CnEx (China)
	V4 ATEX and IECEx: Zone 21 CSA: CLII DIV1 Groups E, F & G InMetro (Brazil), CnEx (China)