

## T400 ELITE Bearing Temperature Monitoring System

**T4004V4CAI** - A400 Elite Control Module – 12 - 24 DC  
Ex II 2D T125°C zones 21 & 22

**T4004V46CAI** - A400 Elite Control Module- 95-250VAC /12-  
24DC Ex II 3D T125°C zone 22

### APPLICATION

Senses over-heated bearings and machinery casings to prevent costly downtime and help eliminate the risk of explosions. The T400 ELITE Temperature Monitor uses an electronic control unit, which works in conjunction with PTC temperature sensors to monitor up to 48 bearings. The control unit incorporates 8 separate zones, each of which is able to monitor 1 to 6 individual bearings.

### FEATURES

- ▶ Monitors multiple bearings - 8 individual bearing temperature zones and up to 48 bearings per control unit
- ▶ Status lights – control unit LED's indicate hot bearing location, control unit alarm and power status
- ▶ Alarm mute: on panel cover and remote push-button
- ▶ Test feature: Controlled test facility activated externally
- ▶ IP 65, Nema 12.

### OPTIONS / ACCESSORIES

- ▶ TX400PLCB: PLC Alarm Interface Board (8 output relays –1 per zone)
- ▶ Communication via RS485
- ▶ PTC Bearing Temperature Sensors (seperate datasheet available)



**ATEX zones 21 & 22**

**IECEX**



**CLASS 2 Div. 2  
Groups E,F,G**

Detailed specification, wiring diagrams and installation/operating instructions available immediately upon request.

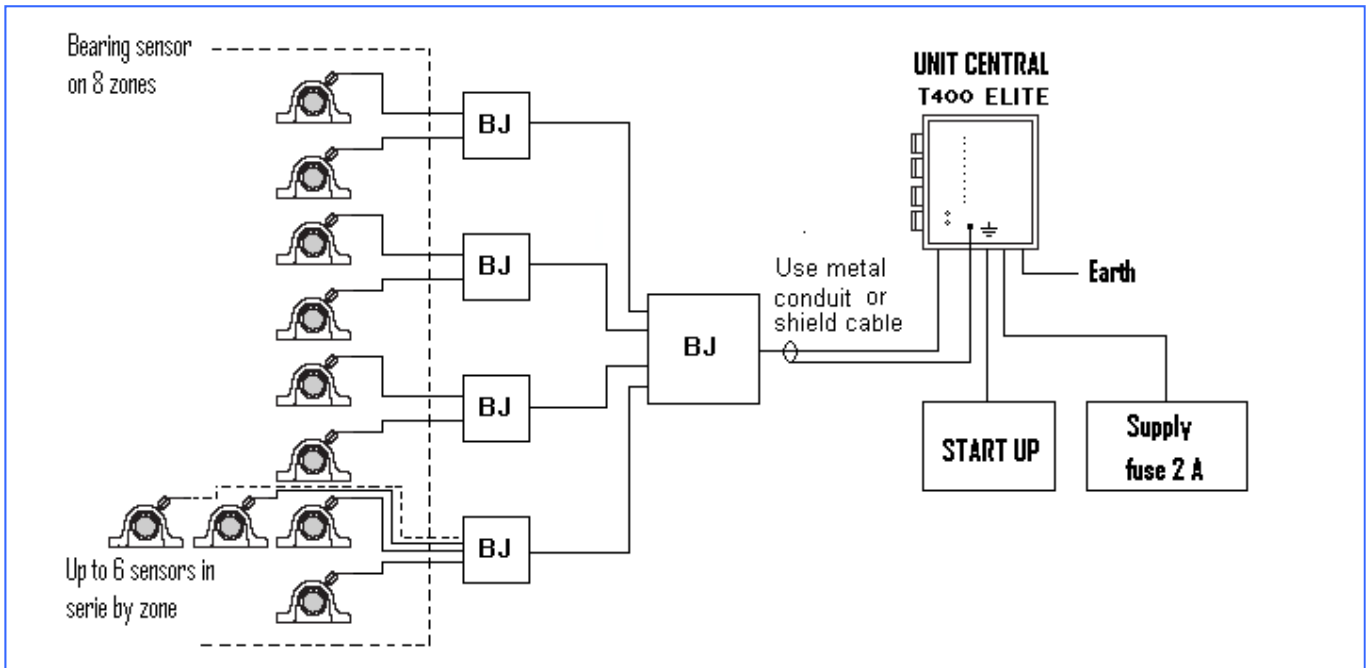
Please refer to instruction manual for correct installation. Information subject to change or correction. June 2015.



**BRAIME**

# T400 ELITE

TECHNOLOGY · INNOVATION · QUALITY · VALUE



## TECHNICAL SPECIFICATIONS

Type	T4004V4CAI	T4004V46CAI
Approvals	Ex II 3D T125°C Tamb -15°C to +50°C	Ex II 2D T125°C Tamb -15°C to +50°C
	BAS03ATEX0674X	BAS03ATEX0674X
Enclosure	Polycarbonate	
Power Supply	12 - 24 VDC	95-250VAC
		12 - 24 VDC
Consumption	10 VA	
Protection	IP 66	
Relay Contact	ALARM A :1 contact NO 8A 250VAC	
ALARM		
Relay Contact	STOP A :1 contact NO 8A 250VAC	
STOP		
Dimensions	HxLxP:246x188x102mm	
Cable Entries	2 s dia,28mm	
Fixation Points	222x102mm	
Weight	1,3Kg	

Please refer to instruction manual for correct installation.  
Information subject to change or correction. June 2015.