

4B is proud to present the new stainless steel body ultra heavy duty range of Rotech shaft motion sensors & encoders designed to suit the most arduous environments in:

- Food processing, pharmaceutical, offshore, chemical, mining, quarrying and many, many more!

A wide range of number of pulses per revolution are available together with AC and DC electrical outputs.

Whether you require a simple motion stop sensor or a high-pulse rate incremental encoder choose:

SSE STAINLESS STEEL BODY



For Monitoring

- Speed
- Shaft stopped
- Distance
- Underspeed
- Direction
- Overspeed
- Belt slip
- Safety guards interlocking

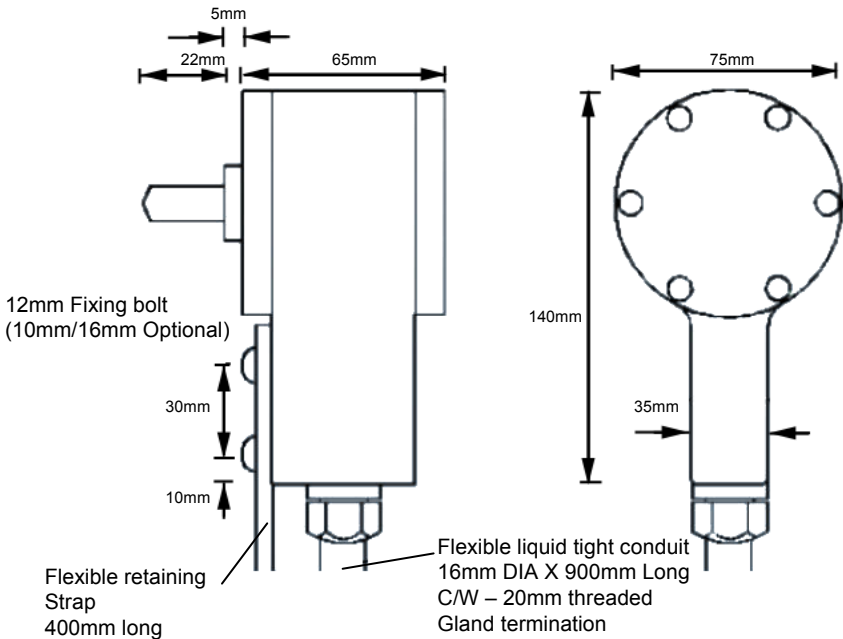
Product Features

- Stainless steel 304/316 solid body housing
- Totally self contained (no guards required)
- Maintenance free for maximum reliability
- 1 to 1000 pulses per revolution
- Multiple outputs AC/DC
- Simple ease of fitting-single 12mm fixing bolt (1/2, 5/8, UNC, 16mm, hollow shaft optional)
- Environment ingress-IP67
- -25°C TO +70, 100, 125, 150°C
VERSIONS AVAILABLE



Based on our long record of proven quality & reliability

Dimensions and Installation Information



Shown in millimetres

Type SSE stainless steel	
Body material	304/316 stainless steel
Fixing – end of shaft	M12 (standard) – ½", 5/8" UNC, M16 optional
Bearings	Sealed for life – Steel – 6205 – 2RS (Optional) – Stainless steel -Polymer moulded oil
Maximum operating speed	10,000 RPM
Temperature	-25°C to +70,100,125,150°C
Ingress rating	IP67
Electrical outputs	See table below

Available Pulse Rates (PPR)

1,2,4,5,6,8,10,12,16,20,30,32,40,50,60,100,120,180,240,250,300,360,500,1000 (Dependent Upon Output Type)

Electrical Outputs

