



CAPACITIVE BLOCKED CHUTE / LEVEL SENSOR

Approved for explosive atmospheres:
ATEX and IECEx zones 20, 21, and 22 for dust;
ATEX and IECEx zone 0, 1, and 2 for gas

Application:

- Detects blocked chute condition
• Can detect high and low levels of material
• Capacitive sensor with smart calibration to ignore dust build-up

Features:

- 24-240 VAC/VDC multi voltage power supply
• 2 and 4 wire versions available
• IP 66 rated
• M30 x 1.5 ISO threaded polycarbonate body
• Blue and green LED's showing output state
• 25mm detection range
• Easy calibration with a magnets
• Configurable polarity selection with a magnet

Part numbers:

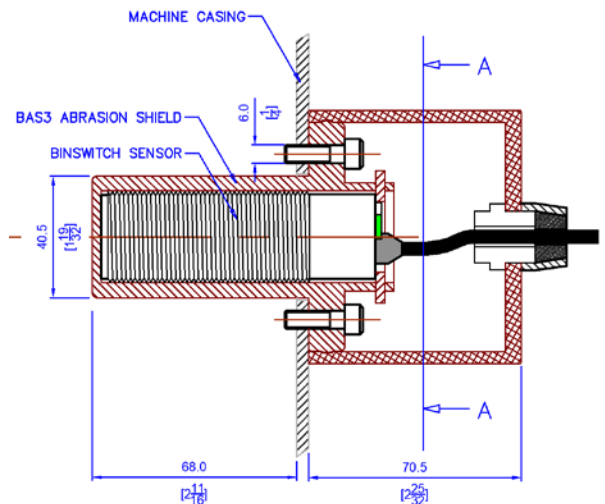
- BSE12V10AI – 2-wire model
• BSE15V10AI – 5-wire model

Accessories:

- BAS3 – Abrasion shield and mounting bracket



BinSwitch Elite sensor
mounted with the BAS3 abrasion shield



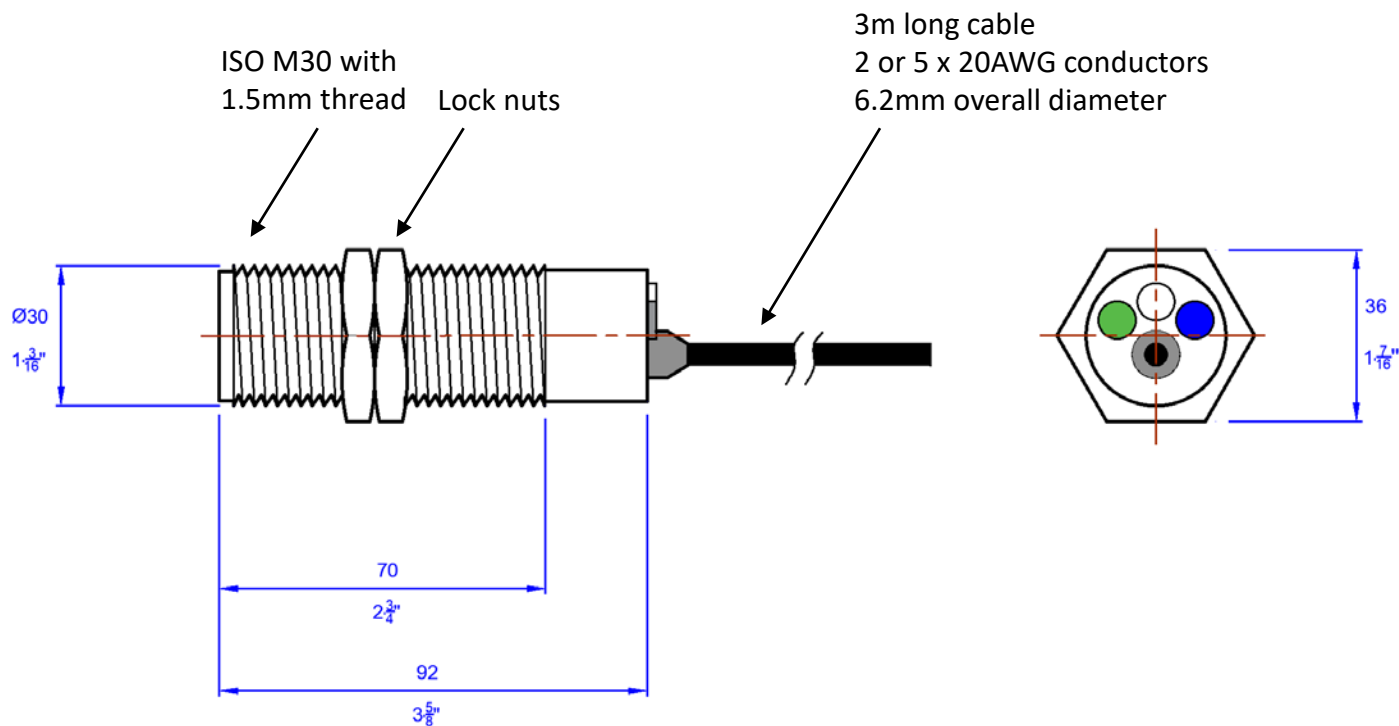
Please refer to instruction manual for correct installation.
Information subject to change or correction. June 2018



TECHNICAL SPECIFICATIONS

Model	BSE12V10AI	BSE15V10AI
Power supply	24-240 VAC/VDC	24-240 VAC/VDC
Output	FET	SPCO relay
Number of wires	2	5
Detection range	25 mm	25 mm
Switching Voltage	24-240 VAC/VDC	60VDC/VAC
Switching Capacity	100mA	3A
Detection Polarity	Configurable	Configurable
Operating temperature range	-15°C to +50°C	-15°C to +50°C
Certificates and approvals	ATEX and IECEx Zone 20, Zone 0	ATEX and IECEx Zone 20, Zone 0
Protection	IP66	IP66

DIMENSIONS



Note: All dimensions are given in mm and inches