

# AE 3000 Series

Extra Heavy Duty – End Of Shaft

TECHNOLOGY · INNOVATION · QUALITY · VALUE

The AE 3000 series of Rotech shaft mounted motion sensors & encoders are manufactured in an extremely tough and durable aluminium casting with an industrial powder coated finish. Designed for areas subject to extreme operating conditions, constant water spray, high pressure washing, severe dust or material contamination.

Installation is simple and easy, just one 12mm threaded hole in the end of the shaft being monitored or fitted using the unique “Mag-Con” magnetic connector.

A wide range of number of pulses per revolution are available together with AC and DC electrical outputs.

Extra  
Heavy Duty



SPRING LOADED  
SHAFT SEAL  
+  
RE-CHARGEABLE  
GREASE CHAMBER  
+  
SPRING LOADED  
SHAFT SEAL  
=  
**TOTAL  
PROTECTION**

### FOR MONITORING:

- Speed
- Shaft stopped
- Distance
- Underspeed
- Direction
- Overspeed
- Belt slip
- Safety guards interlocking

### FEATURES:

- Totally self contained (no guards required)
- Maintenance free for maximum reliability
- 1 to 1000 pulses per revolution
- Environment ingress-IP67
- -25 to +70, 100, 125, 150, deg Celsius versions Available



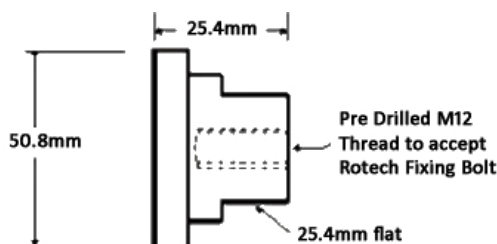
### MAG-CON

#### MAGNETIC CONNECTOR

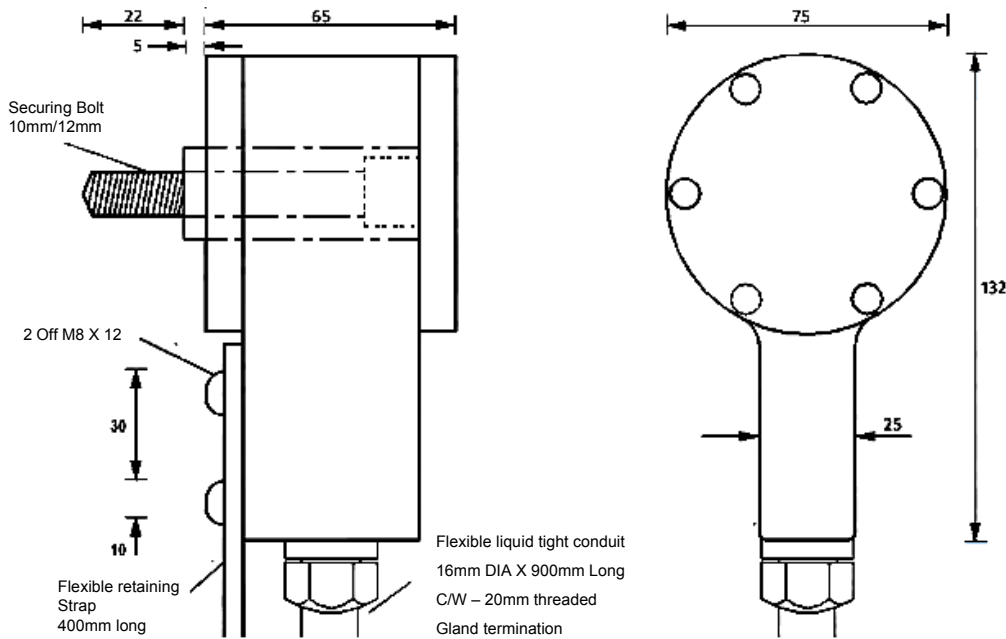
For quick and easy installation of Rotech shaft mounted sensors & encoders

#### IMPORTANT NOTE:

MAXIMUM OPERATING SPEED IS 300RPM  
RECOMMENDED MINIMUM  
SHAFT DIAMETER FOR FITTING=35MM



# Dimensions and Installation Information

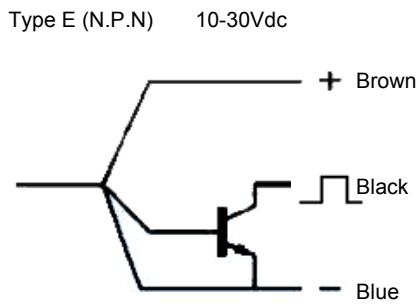


Shown in millimetres

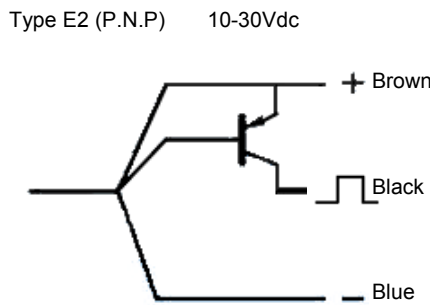
## Electrical Outputs

### Available Pulse Rates (PPR)

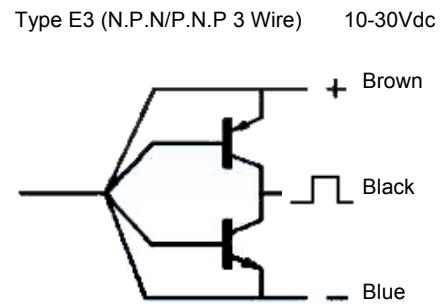
1,2,4,5,6,8,10,12,16,20,30,32,40,50,60,100,120,180,240,250,300,360,500,1000 (Dependent Upon Output Type)



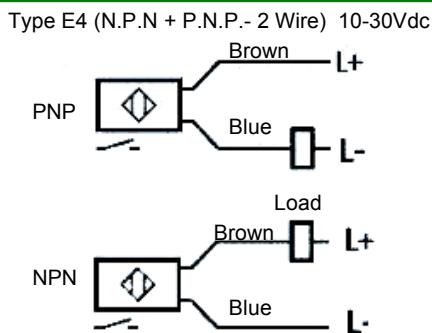
Max frequency = 600Hz



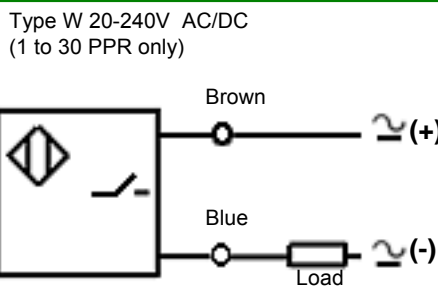
Max frequency = 600Hz



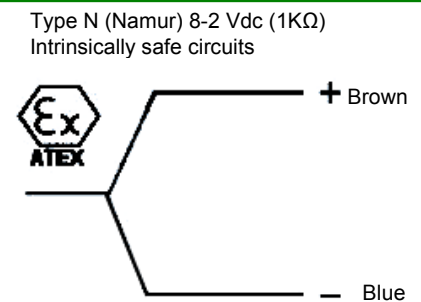
Max frequency = 1000Hz



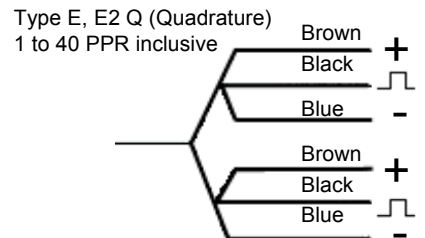
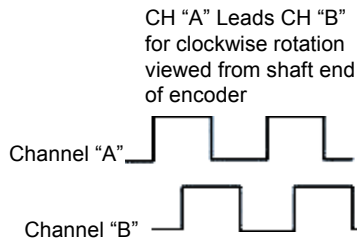
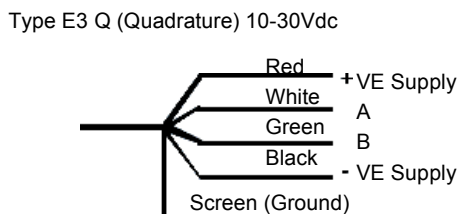
Max frequency = 1300Hz



Max frequency = 25Hz (AC) 1000Hz (DC)



Max frequency = 2000Hz



Max frequency = 600Hz