



RG3系列阻旋式料位传感器

防爆认证:

IECEX/ATEX 20 及 21 区粉尘环境

应用:

用于测定料仓、料斗中诸如谷物、饲料、化学品、木材以及其他粉料的料位或者有无。RG2可以水平安装或垂直安装。

操作方法:

上升的物料碰到持续旋转中的桨叶，物料会阻碍桨叶的旋转，触发电机脱钩并发出报警。

产品特性:

- 操作简便，无需标定，无需维护，安装无需专用工具。
- 有丰富专业的桨叶选项，能适应各种不同堆密度的物料。
- 安装方式灵活多样，可安装在料仓、料斗、溜槽的侧壁，也可以安装在料仓、料斗、溜槽的顶部，可以水平、垂直安装也可以倾斜安装。
- 桨叶类型、桨叶长度。电源电压均可以自由组合。
- 防护等级IP65。
- 外壳为坚固的铝合金制成或不锈钢材料，主轴为不锈钢材料，免维护球轴承。
- 工作环境温度-20° ~ +70°C，有高温型可选。
- 接线端子有快插式或螺钉压片式可选。



部件号:

RG3V56A-P	110/240 VAC 快插式接线端子，接口螺纹2- 1/2" BSPP(外)
RG3V4A-P	24 VDC 快插式接线端子，接口螺纹2- 1/2" BSPP(外)
RG3V56A-S	110/240 VAC 螺钉压片式接线端子 - 连接螺纹2- 1/2" BSPP(外)
RG3V4A-S	24 VDC 螺钉压片式接线端子 - 连接螺纹2 1/2" BSPP(外)

Please refer to instruction manual for correct installation.
Information subject to change or correction. Jan 2020

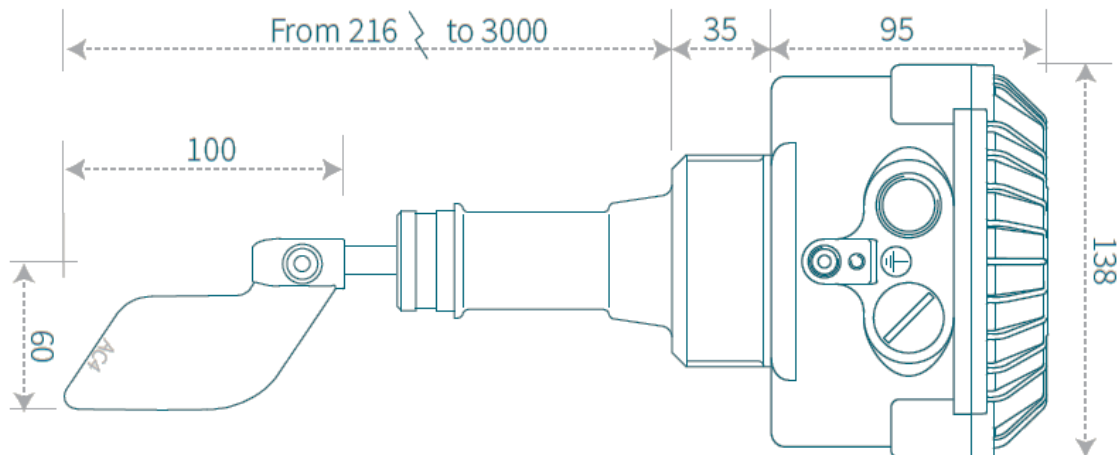
Detailed specification, wiring diagrams and installation/operating instructions available upon request.



技术参数

型号	RG3V56A-x	RG3V4A-x
电源电压	110/240 VAC (50/60Hz)	24VDC
输出形式、容量	继电器输出, 10A @ 250VAC	Change over relay 10A at 250VAC
连接螺纹尺寸规格	$\phi 2 \frac{1}{2}$ " BSPP	$\phi 2 \frac{1}{2}$ " BSPP
进线孔尺寸规格	2 x $\phi 1/2$ " BSPP进线孔	2 x $\phi 1/2$ " BSPP进线孔
外壳材料	铸铝合金	铸铝合金
操作温度范围	-20°C + 70°C	-20°C + 70°C
防护等级	IP65	IP65
防爆认证	ATEX Zone 20 / Zone 21	ATEX Zone 20 / Zone 21

产品尺寸








注: 所有尺寸单位均为mm

Please refer to instruction manual for correct installation.
Information subject to change or correction. Jan 2020

Detailed specification, wiring diagrams and installation/operating instructions available upon request.



产品可选功能组合

	选项代码	描述
 Voltage control	4V = 24VDC 5V = 230VAC 6V = 110VAC	电压控制
 Double contact	D	双触点输出
 8 pulse	8P	带脉冲输出(8 pulse / min), 用于诊断自身运行状态
 4 RPM	4R	4 RPM 可选转速 (默认1RPM)
 Low temperatures	4T = 24VDC 5T = 230VAC 6T = 110VAC	低温型号, 低温可至 -27°C
 220VAC	4L = 24VDC 5L = 220VAC 6L = 110VAC	带运行状态指示灯

型号组合举例说明: RG3V4A-P4V8P4L

= 24VDC RG3 快插式接线端子,带电压控制, 带8PPM脉冲输出,带24VDC运行状态指示灯



桨叶选择

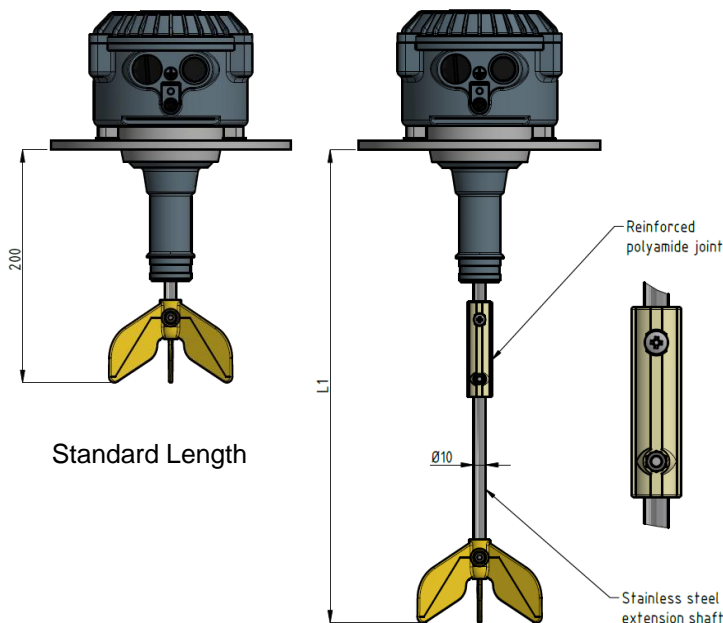
	部件号	描述	尺寸	适应设备	最小安装孔径 ϕ	适应最低堆密度	物料堆密度
	RGSP0 (标准桨叶)	1 x Nylon6 标准尼龙 单叶桨	50 x 100 mm	RG2 RG3 RG4	39mm	1.0 kg/dm ³	
	RGSP1	1 x Nylon6 尼龙单叶 桨	60 x 100 mm	RG2* RG3 RG4*	65mm	0.5 kg/dm ³	
	RGSP3	3 x Nylon6 尼龙三叶 桨	120 x 65 mm	RG2* RG3* RG4*	* 从容器 内部以法 兰形式安 装	0.3 kg/dm ³	
	RGSP0-SS	1 x 304 不 锈钢单叶 桨	50 x 100 mm	RG2 RG3 RG4	39mm	1.0 kg/dm ³	
	RGSP1-SS	1 x 304 标 不锈钢单 叶桨	60 x 100 mm	RG2* RG3 RG4*	65mm	0.5 kg/dm ³	
	RGSP4-SS	4 x 304 不 锈钢四叶 桨	60 x 100 mm	RG2* RG3* RG4*	*从容器内 部以法兰 形式安装	0.3 kg/dm ³	
	RGSP4-SS- L	4 x 304 不 锈钢四叶 桨	138 x 50 mm	RG2* RG3* RG4*	*从容器内 部以法兰 形式安装	0.2 kg/dm ³	
	RGSPV-SS	4 x 304 Stainless Steel blades	60 x 100 mm	RG2 RG3 RG4	30mm	0.4 kg/dm ³	

Please refer to instruction manual for correct installation.
Information subject to change or correction.

Detailed specification, wiring diagrams and installation/operating instructions available upon request.



Extension Options

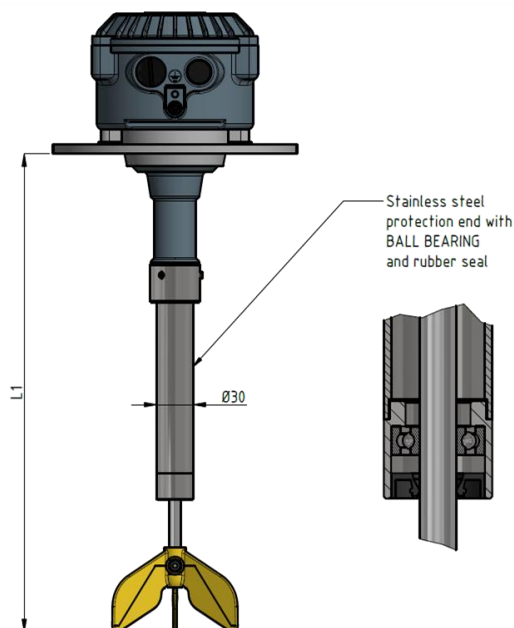


Stainless Steel Extension Rod (Without Guard)

Part No.: RGEEXT-0500-SS (L1 = 500mm)

Part No.: RGEEXT-1000-SS (L1 = 1000mm)

Part No.: RGEEXT-1500-SS (L1 = 1500mm)



Stainless Steel Extension Rod (With Guard)

Part No.: RGEEXT-0500-SS-G (L1 = 500mm)

Part No.: RGEEXT-1000-SS-G (L1 = 1000mm)

Part No.: RGEEXT-1500-SS-G (L1 = 1500mm)

Please refer to instruction manual for correct installation. Information subject to change or correction. Jan 2020

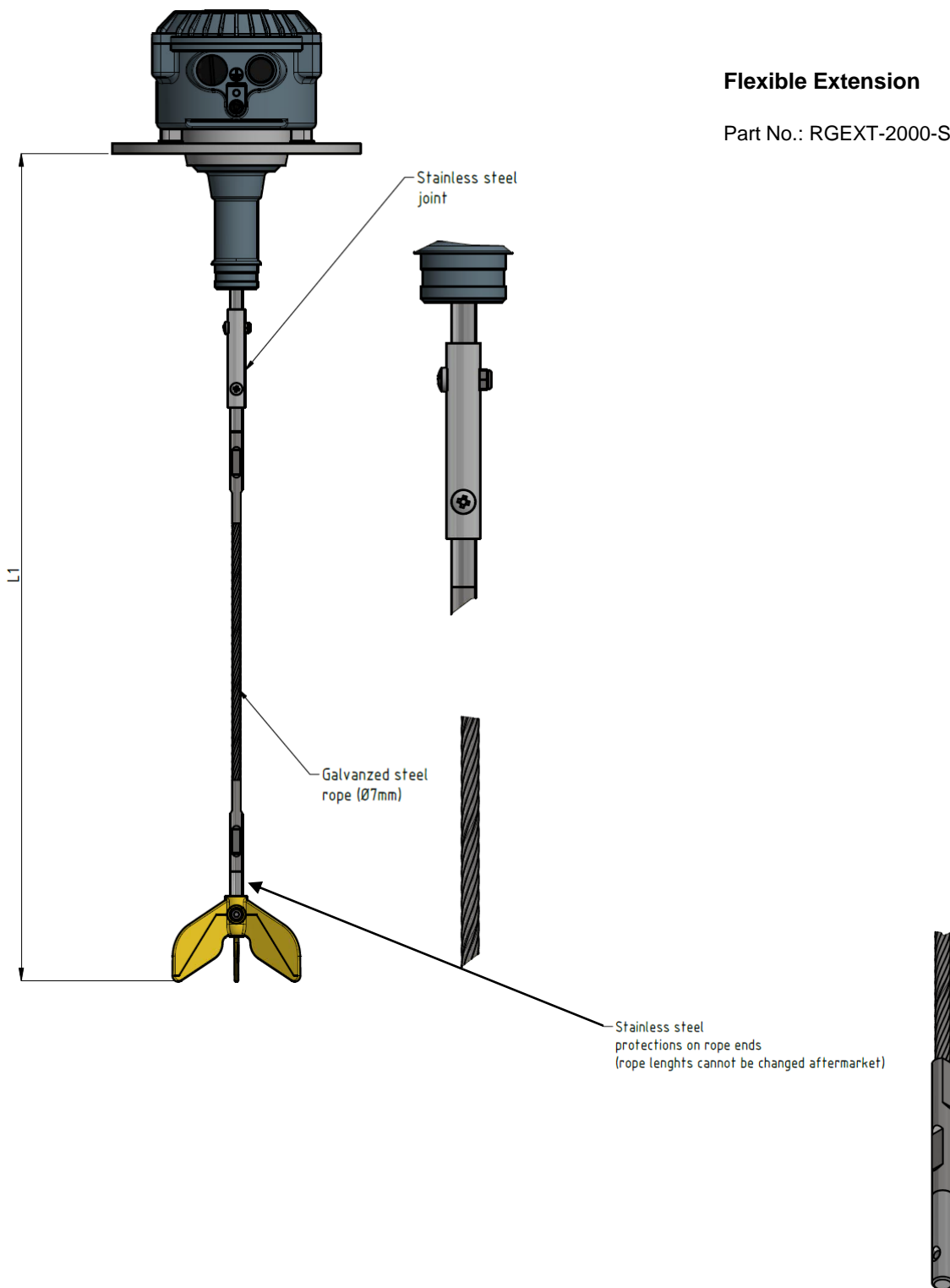
Detailed specification, wiring diagrams and installation/operating instructions available upon request.



Extension Options (cont.)

Flexible Extension

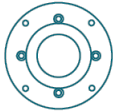
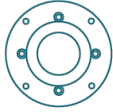


Part No.: RGEXT-2000-SS-W (L1 = 2000mm)



Please refer to instruction manual for correct installation.
Information subject to change or correction. Jan 2020

Detailed specification, wiring diagrams and installation/operating instructions available upon request.

Flange Options

	Part Number	Description
 Aluminium flange	RGMP1	Standard aluminium flange 2 ½" BSP External diameter = 203mm Hole centers = \varnothing 178 Hole spacing = 6 x equidistant \varnothing 7.5mm holes
 Stainless steel flange	RGMP1-SS	Stainless Steel flange 2 ½" BSP External diameter = 203mm Hole centers = \varnothing 178 Hole spacing = 6 x equidistant \varnothing 7.5mm holes
 Iron sleeve 2"1/2Gas	RG-TUBE-2.5	Iron sleeve 2 ½" BSP
 Stainless steel 2"1/2Gas	RG-TUBE-2.5-SS	Stainless steel sleeve 2 ½" BSP

Examples..



RGMP1



RG-TUBE-2.5

 Please refer to instruction manual for correct installation.
 Information subject to change or correction. Jan 2020

Detailed specification, wiring diagrams and installation/operating instructions available upon request.