



INDUCTIVE PROXIMITY SENSOR

Approved for explosive atmospheres:

ATEX and IECEX

Zones 20, 21 & 22 for dust

Zones 0, 1 & 2 for gas

Application:

- Detects the presence or absence of metal target
- Used for sensing the speed of machinery, guard gate positions and other similar applications

Features:

- 24-240V AC/DC multi voltage power supply
- 2 and 4 wire versions available
- IP 66 rated
- M30 x 1.5 ISO threaded polycarbonate body
- Blue LED showing output state
- ≤8mm detection range

Part numbers:

- **P3003V10AI** – Normally closed output
- **P3004V10AI** – Normally open output
- **P3003V34AI** – Normally open or closed selectable output. Opto-isolated transistor output

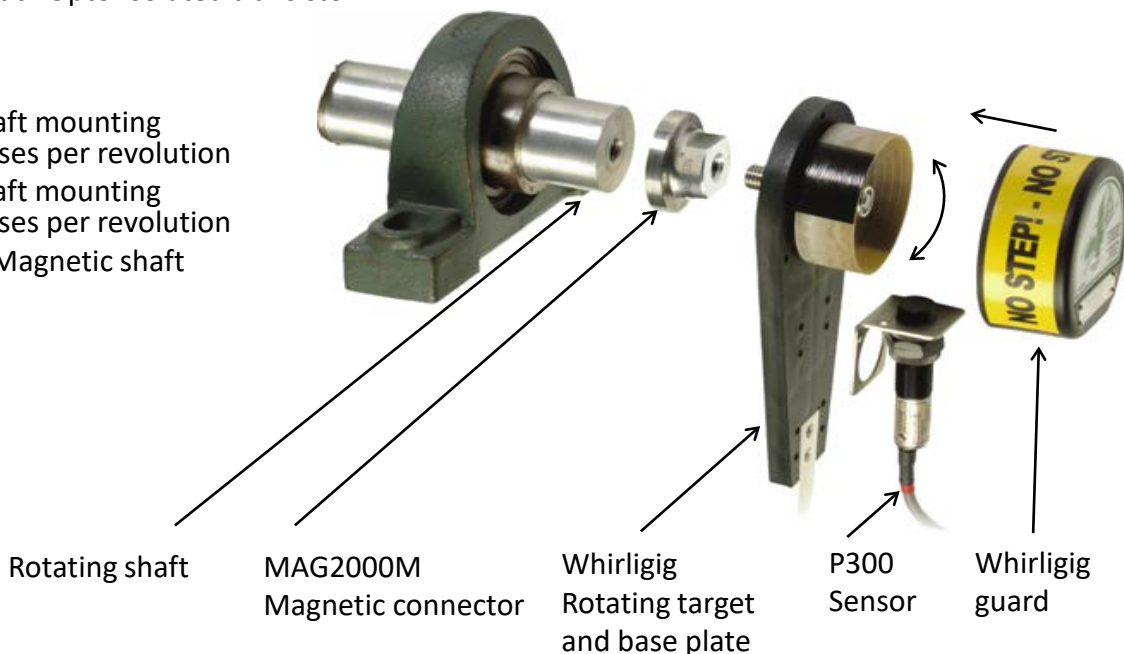
Options:

- **WG4A-BR** – Shaft mounting assembly, 4 pulses per revolution
- **WG2A-BR** – Shaft mounting assembly, 2 pulses per revolution
- **MAG2000M** – Magnetic shaft connector



P300 Inductive Sensor

Shown with optional Whirligig and Mag-Con



Please refer to instruction manual for correct installation. Information subject to change or correction. August 2018

Detailed specification, wiring diagrams and installation/operating instructions available upon request.



TECHNICAL SPECIFICATIONS

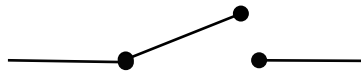
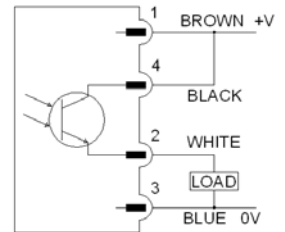
Model	P3003V10AI	P3004V10AI	P3003V34AI
Power supply	24-240 VAC/VDC	24-240 VAC/VDC	10-30 VDC
Output	Normally closed N/C	Normally open N/O	Either N/C or N/O
Number of wires	2	2	4
Voltage drop	5.5V max	5.5V max	Nil
Detection range	≤ 8 mm	≤ 8 mm	≤ 8 mm
Maximum detection frequency	3,600 PPM / 60 Hz	3,600 PPM / 60 Hz	3,600 PPM / 60 Hz
Maximum current	100 mA	100 mA	100 mA
Operating temperature range	-15°C to +50°C	-15°C to +50°C	-15°C to +50°C
Certificates and approvals	ATEX and IECEx Zone 20 + Zone 0	ATEX and IECEx Zone 20 + Zone 0	ATEX and IECEx Zone 20 + Zone 0
Protection	IP66	IP66	IP66

OUTPUT MODES EXPLAINED

P3003V10AI

P3004V10AI

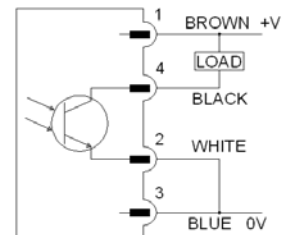
P3003V34AI



Normally closed

Normally closed

Normally open



Normally open

Opens when target is seen

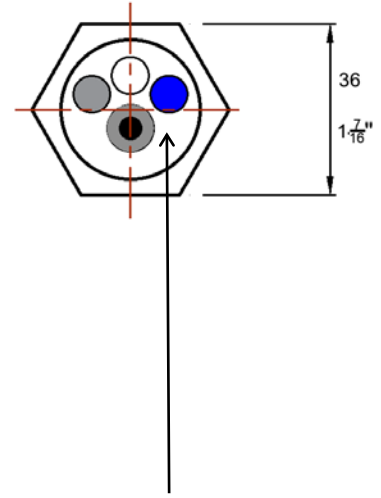
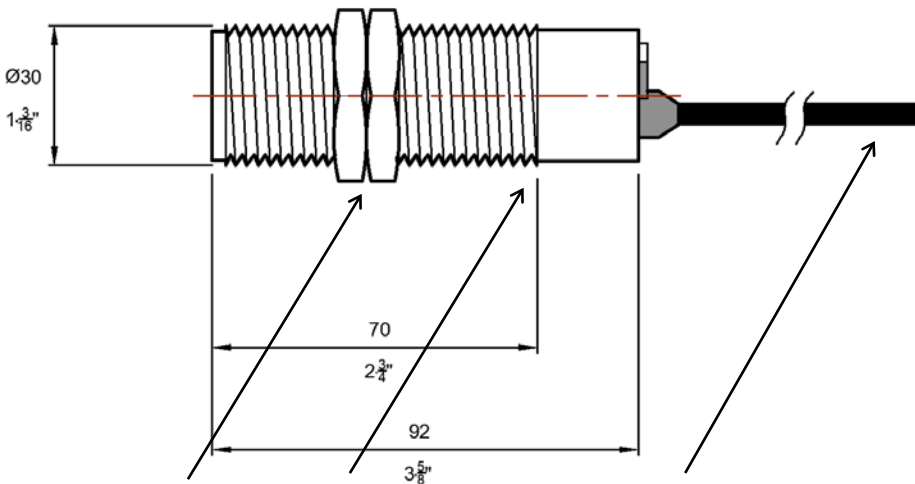
Closes when target is seen

Please refer to instruction manual for correct installation. Information subject to change or correction. August 2018

Detailed specification, wiring diagrams and installation/operating instructions available upon request.



DIMENSIONS



2 off - Lock nuts

Thread: ISO M30 x 1.5mm pitch

3m Cable  
2 or 4 x 20 AWG conductors  
6.2mm overall cable diameter

Blue LED

Note: All dimensions are given in mm and inches