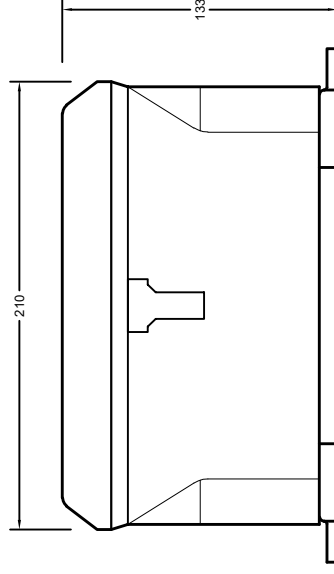
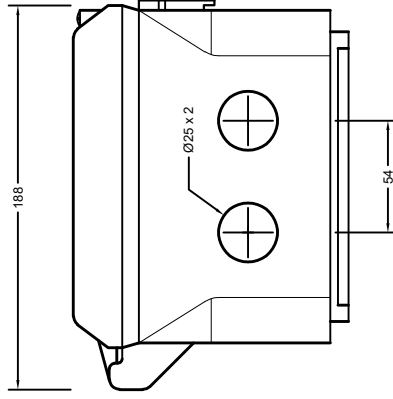
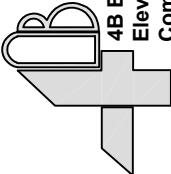


NOTE:
ALL DIMENSIONS IN MM



Change	Note	Rev	Date	Drawn	Check	Brief Description

 <p>4B Braine Elevator Components www.go4b.com</p>		Customer: N/A
Description: Small Elite Enclosure used on all 400 and 500 Series Products		Sales Order # N/A
Braime Pressings, Hunslet Road, Leeds, LS10 1JZ Tel: +44 113 246 1800 Email: 4b-uk@go4b.com		Scale: NTS
Drawn By: K.A.	Checked By: N/A	Drawing # Small Elite Controller
Date: N/A	Date: N/A	Rev: