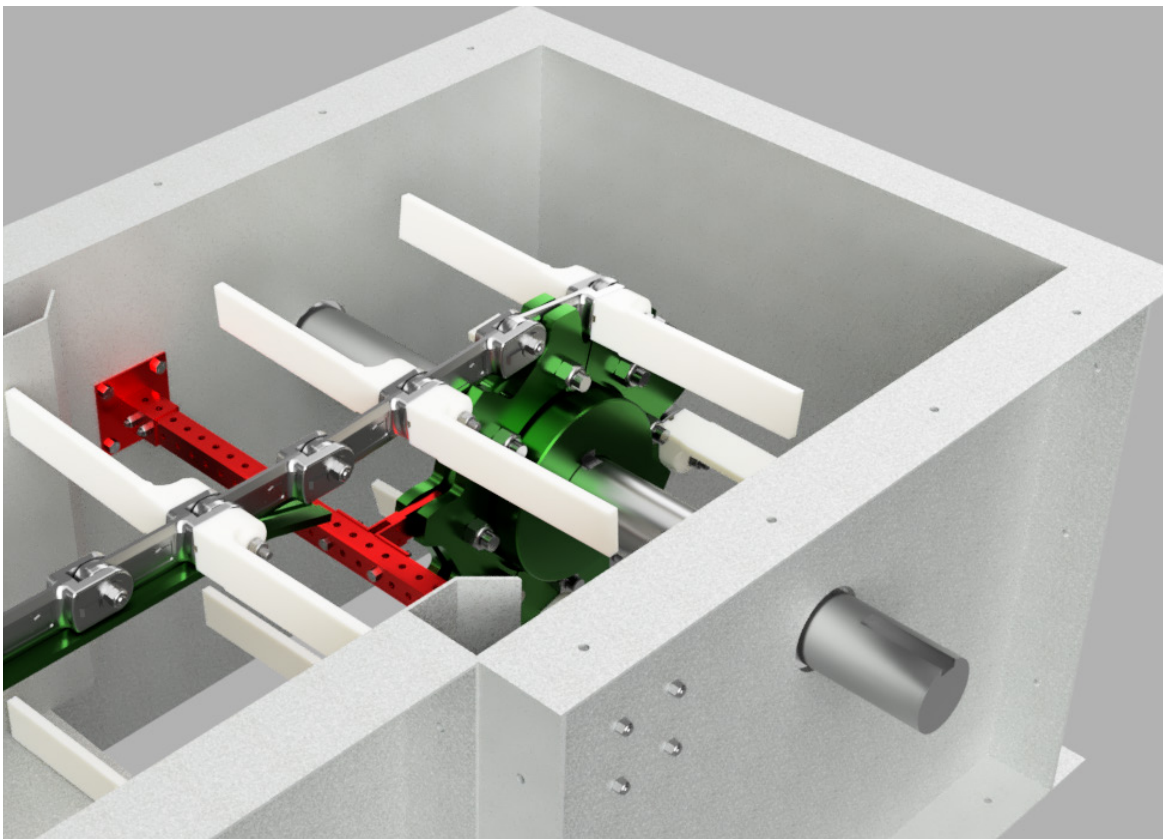




Bolt-N-Go™ Chain Conversion Recommendations

In order to obtain the best performance from your new Bolt-N-Go system, we recommend the following drag conveyor modifications:

1. As the chain transitions from the drive sprocket to the return rail, it is important that the chain links absorb the initial contact, not the flights, by installing a partial central rail at the transition. Afterwards, the chain can transition from the central rail to the conveyor's existing side rails.
2. Bolt-N-Go chain is driven by a segmented style sprocket. Since the chain links sit between the sprocket tooth plates, it is important that this gap remains clear of product. If the sprockets are exposed to product build-up, it is advisable to install a sprocket cleaner to strip away any build-up of product between the tooth plates so that the chain meshes with the sprocket correctly.



1. Sprocket and central rail shown in green
2. Sprocket cleaner shown in red



! DANGER



Exposed moving parts will cause severe injury or death.

Lockout power before removing cover or inspection door.

! WARNING



Moving parts can crush and cut.

Lockout power before removing guard or servicing.

Do NOT operate with guard removed