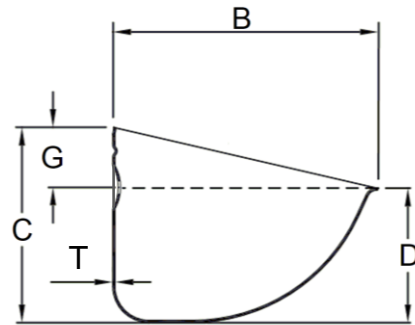
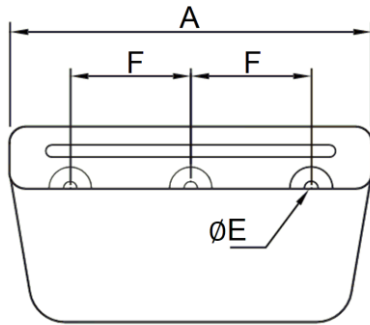




**BRAIME**

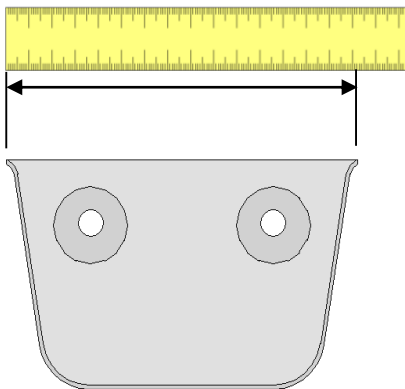
# How to measure your elevator bucket

BETTER BY DESIGN

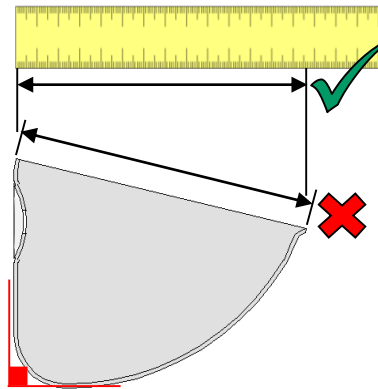


Insert dimensions here:

A	B	C	D	Ø E	F	G	T	No. of Holes	Material

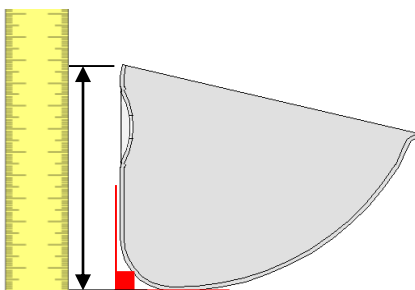


**Bucket width A**

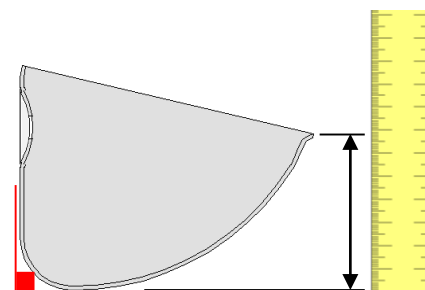


**Bucket projection B**

Ensure horizontal projection is measured, not the opening of the bucket.

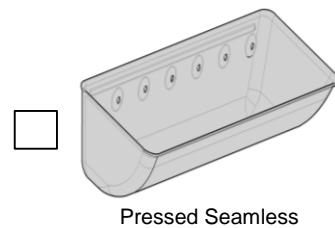


**Back height C**

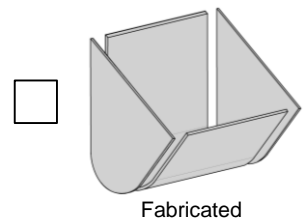


**Front lip height D**

Select bucket style:

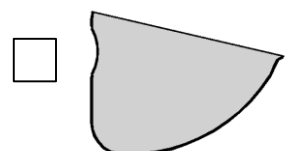
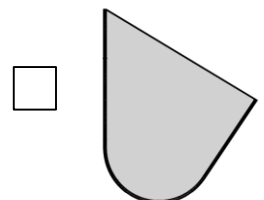


Pressed Seamless



Fabricated

Select bucket shape closest to yours:



When measuring dimension B, C and D make sure the bucket is on a flat surface and the back is positioned vertically.

T: Using a micrometer, measure the thickness of the bucket.